

## RSF40 SERIES

### COMPACT INTERNAL FITTING



The RSF40 series is designed as a compact internal fitting device, with a wide range of options, making this ideal for size sensitive applications. Mounting of this series requires access to the inside of the tank.

Typical applications include vending machines, commercial washing machines and evaporator units.

They are manufactured in a variety of materials with a choice of gasket materials, to suit most commonly used liquids.

The switch action may be reversed by rotating the device through 180°.

Available with flying leads or M12 socket for electrical connection. Cable sets with M12 plugs are also available.

### Features

- Compact design
- Flying Lead or M12 plug connection
- Available in Nylon, Polypropylene, PPS & PVDF
- 25VA

## SPECIFICATIONS

### Technical

		1748411, 1748422	1748412, 1748423
<b>Material</b>		Nylon	Polypropylene
<b>Colour</b>		Black	Opaque
<b>Temp. Range</b>	°C	-20/+75	-20/+100
	°F	-4/+167	-4/+212
<b>Min. Fluid SG</b>		0.85	0.85
<b>Must Close Level (SG=1)</b>		7mm	8mm
<b>Must Open Level (SG=1)</b>		20mm	20mm

\* Maximum temperature requires ETFE cable to be specified.

# Electrical

		<b>25W (Y code)</b>
<b>Contact Form</b>		N/O (N/C)
<b>Switching Power Max</b>	VA	25
<b>Switching Voltage AC Max</b>	V	240
<b>Switching Voltage DC Max</b>	V	120
<b>Switching Current Max</b>	A	0.6

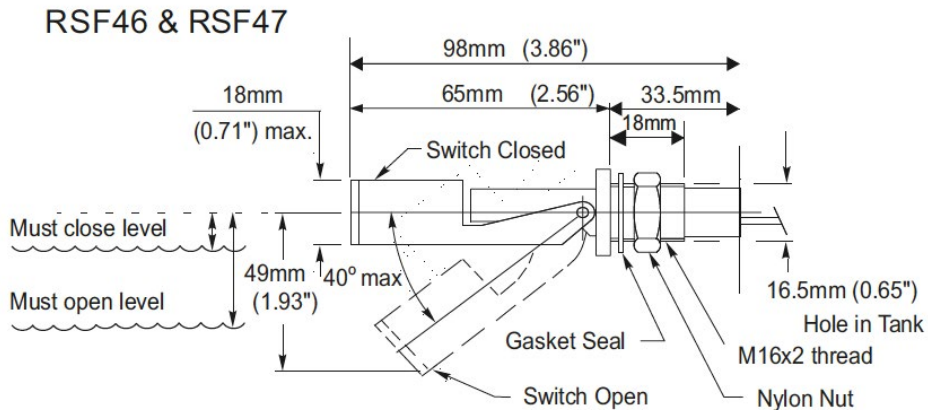
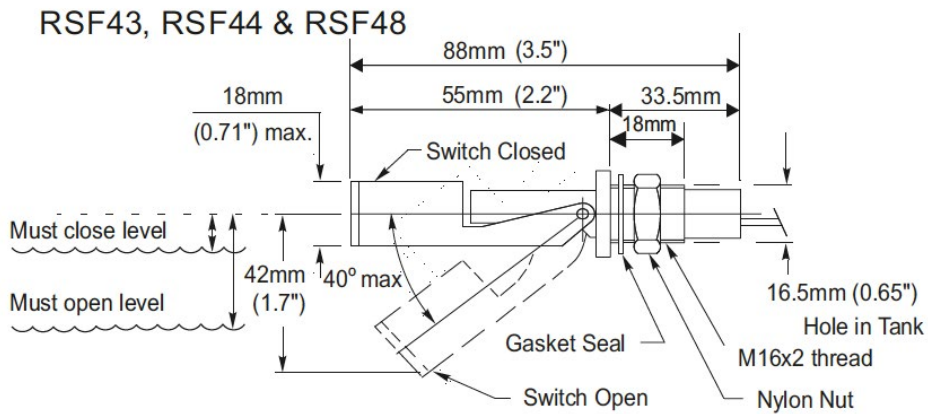
All ratings are for resistive load only.

## STANDARD PARTS

RS Stock No.	Material	Max Power	Leadouts	Gasket
1748411	Nylon	25VA	100cm PVC 16/0.2	Nitrile
1748412	PP	25VA	100cm PVC 16/0.2	Nitrile
1748422	Nylon	25VA	M12 connector	Nitrile
1748423	PP	25VA	M12 connector	Nitrile

## DIMENSIONS

All dimensions are in millimeters.



### Electrical Connections

