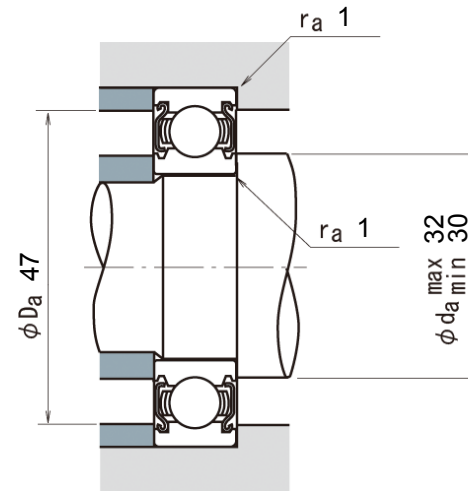
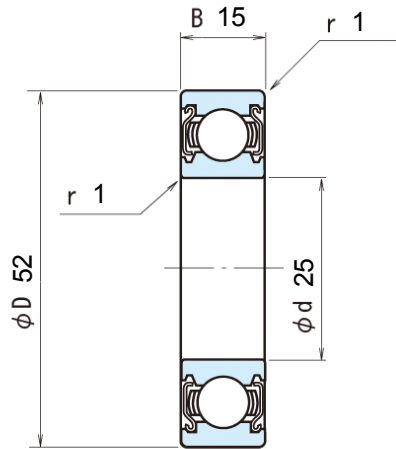


Boundary Dimensions (mm)				Basic Load Ratings (kN)		Limiting Speeds (min ⁻¹)		Bearing Numbers	NSKHPS
<i>d</i>	<i>D</i>	<i>B</i>	<i>r</i> min.	<i>C_r</i>	<i>C_{0r}</i>	Grease	Oil		
25	52	15	1	14.7	7.85	15000	-	6205ZZ &	NSKHPS



Factor	Mass (kg) approx.
f_0	
13.9	0.129