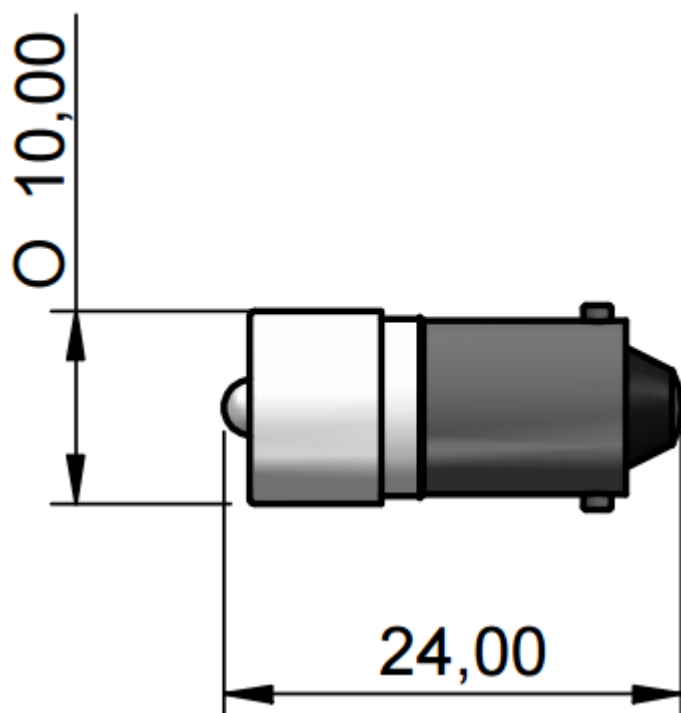


Datasheet

LED Indicator Lamp

RS ITEM NO 207-084



LED/Multiled	<i>LED</i>	Optimum voltage (V)	<i>12Vac/dc</i>	Intensity	<i>1000mcd</i>
Mounting Size	<i>10x28</i>	Rectifier	<i>Half Wave</i>		
Mounting Finish		AC current	<i>7mA</i>		
Protection	<i>Ba9</i>	DC current	<i>19mA (max)</i>		
Mount Holder	<i>Black Bezel</i>	Voltage Tolerance (%)	<i>10%</i>		
Chip Qty		Optimum temperature (°C)	<i>-30°C...+60°C</i>		
Indicator colour	<i>White</i>	Storage temperature (°C)	<i>-30°C...+60°C</i>		
Wavelength (nm)		Contact Tab	<i>Ba9 Cap</i>		



*Dimension in mm (typical), not to scale.
We reserve the right to make changes without further notice to this product to improve reliability, function or design.*