

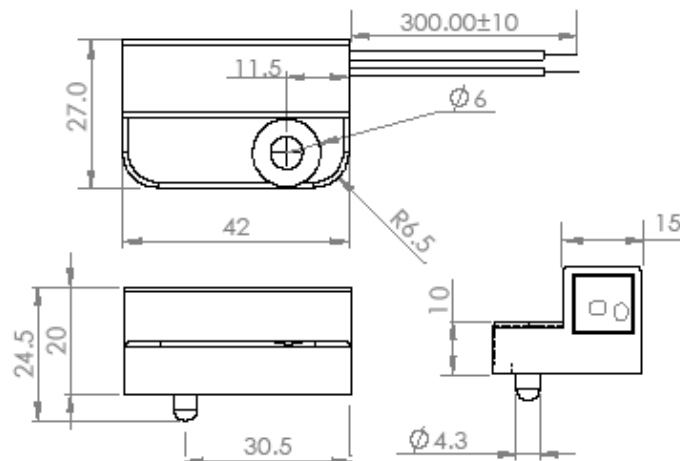
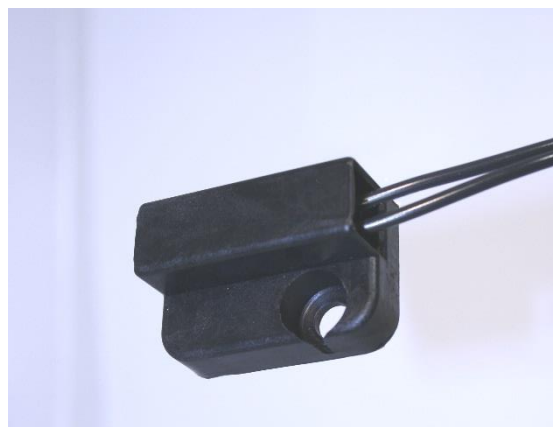


ENGLISH

Datasheet

**RS Pro Part No: 136-5757**

**RS Pro Ferrous Metal Sensor - Non powered**



## Specifications

- Normally open contacts that close in the presence of a ferrous metal
- 6mm activation distance (may vary depending on iron content)
- Switching voltage 140 Volts AC, 200 Volts DC
- Maximum switching load 10 Watts, 0.5 Amps
- Operating Temperature  $-40^{\circ}$  to  $85^{\circ}\text{C}$
- ABS housing material
- 2 x 20 AWG  $105^{\circ}\text{C}$  Black Cable
- Top Sensing Target