

FEATURES

- Allows easy connection and disconnection of two wires
- Provides a secure and permanent electrical connection
- Solderless crimp connection
- Tin plating for resistance to corrosion
- Excellent conductivity

RS PRO Uninsulated Spade Connector, 6.35 x 0.8mm Tab Size, 4mm² to 6mm²

RS Stock No.: 488-1263



RS Professionally Approved Products bring to you professional quality parts across all product categories. Our product range has been tested by engineers and provides a comparable quality to the leading brands without paying a premium price.

Product Description

From RS PRO a high-quality open barrel crimp receptacle terminal sometimes known as a female quick disconnect. Female crimp receptacles are a type of electrical wiring connector which, when mated with a male tab connector (or male quick disconnect), provide a fast and reliable interconnect between two wires. The body of the connector is made from brass with a tin plating. The tin plating has excellent conductivity and is also resistant to corrosion.

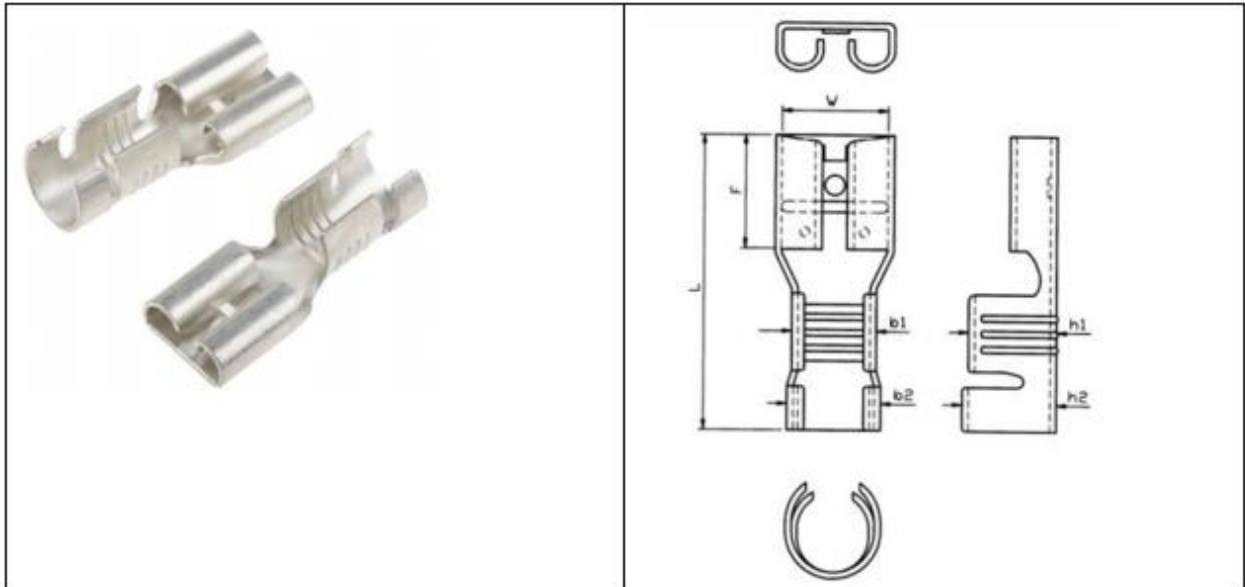
General Specifications

| | |
|---------------------------|-------------------------------------------------------------------------------------------------------------------------------------------------------------------------------------------------|
| Insulation | Uninsulated |
| Termination Method | Crimp |
| Contact Plating | Tin |
| Contact Material | Brass |
| Applications | Industrial control systems; Industrial machines; Automotive applications; Communication equipment; Power supplies; HVAC; Domestic appliances including dishwashers, washing machines and dryers |
| Connector Type | Tab |
| Gender | Female |

Mechanical Specifications

| | |
|--------------------------------|------------------|
| Minimum Wire Size | 4mm ² |
| Maximum Wire Size | 6mm ² |
| Tab Size | 6.35mm x 0.8mm |
| Minimum Wire Size (AWG) | 10AWG |
| Maximum Wire Size (AWG) | 12AWG |
| Overall Length | 19.2mm |





| WIRE RANGE A.W.G. mm ² | ITEM NO. | NEAM TAB | DIMENSION mm | | | | | | | |
|-----------------------------------------|----------|-----------------------------|--------------|-----|------|-----|-----|-----|-----|-----|
| | | | W | F | L | b1 | b2 | h1 | h2 | T |
| 14-10 A.W.G. 2.5-6mm ² | 488-1263 | .032 x .250 (0.8 x 6.35) | 6.6 | 7.5 | 19.2 | 3.0 | 4.0 | 4.2 | 5.5 | 0.4 |