

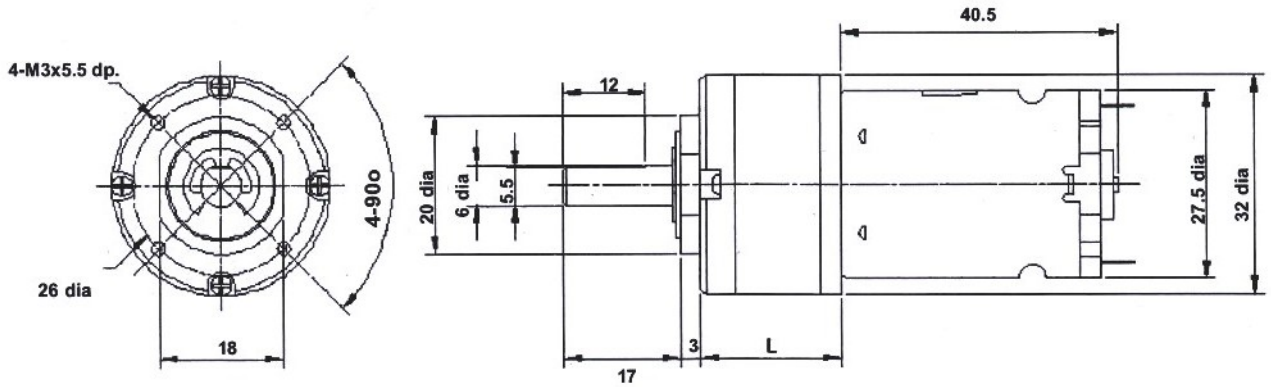
**Datasheet**

# RS PRO, 12 V dc, 4704 gcm, Brushed DC Geared Motor, Output Speed 116 rpm

Stock No: 417-9661

**Specifications:**

Output Speed	116 rpm
Supply Voltage	12 V dc
Maximum Output Torque	4704 g.cm
DC Motor Type	Brushed
Shaft Diameter	6mm
Power Rating	7.85 W
Gearhead Type	Planetary
Length	73.9mm
Width	32 (Dia.) mm
Current Rating	990 mA
Weight	211g



Ratio	L
100:1	33.4mm

Gearbox Housing material	Metal
Backlash at no-load	< 2.5°
Bearing at output	Sleeve bearings
Radial load (10mm from flange)	< 3 kgf
Shaft axial load	< 2.5 kgf
Shaft press fit force max	< 10 kgf
Radial play of shaft	< 0.08mm
Thrust play of shaft	< 0.3mm

Reduction Ratio	Rated tolerance Torque	Max momentary Tolerance Torque	Efficiency
1/100	10.0 kgf-cm Max.	30.0 kgf-cm	60%

Reduction Table RPM SUPPLY VOLTAGE	4.5v	6v	9v	12v	15v
417-9661	44	58	87	116	146

Note: Motor speeds may vary by (+) or (-) 12.5%