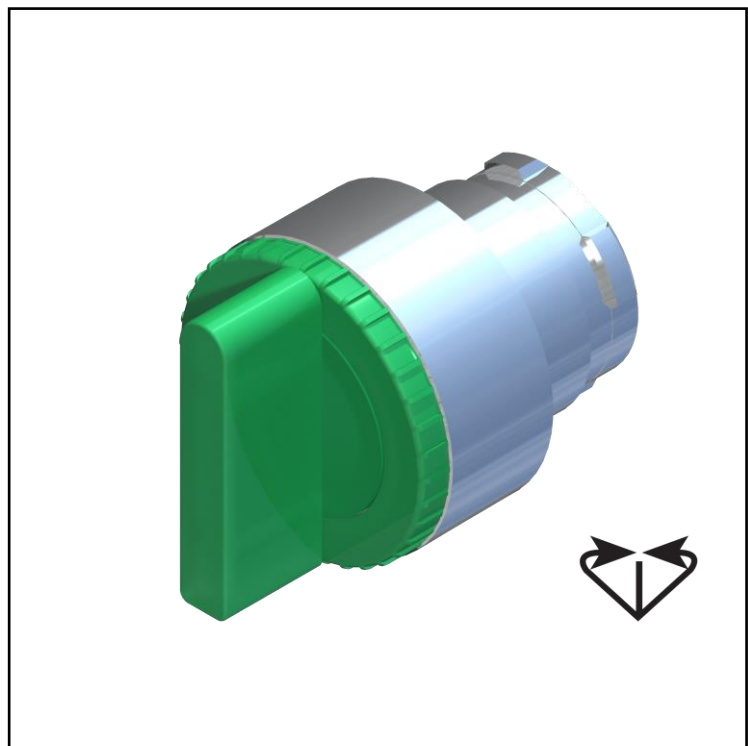


FEATURES

- Front panel mount
- Colour short lever
- Chrome plated outer
- Illuminated
- Switch position: 3
- Switch Actuation: Spring Return from Left and Right
- Outer diameter: 30 mm
- IP65 rating

RS PRO Illuminated selector switches

RS Stock No.: 2383916



RS Professionally Approved Products bring to you professional quality parts across all product categories. Our product range has been tested by engineers and provides a comparable quality to the leading brands without paying a premium price.

Family Name

Product Description

From the trusted brand RS PRO, a range of high-quality selector switch heads designed to be used in conjunction with a compatible contact block and support base. These selector switch heads have a chrome-plated body, illuminated short levers in various colours, and are available with 2 or 3 switch position options. During application, they are front panel mounted via a 22 mm cut-out and should be connected to a support base secured with screws. Once fully operational the selector switch heads open and close contacts, turn right, left, and centre with a positive feel without rotation of the operators.

General Specifications

| | |
|-----------------|---|
| Casing Material | Chrome-plated Zamak |
| Operator | Illuminated selector switches 2383916 - 3 positions, return from left and right |
| Color | Illuminated green |
| Outer diameter | 30 |

Mechanical Specifications

| | |
|--|-----------|
| Operating Temperatures [°C] | -25 / +70 |
| Stock Temperatures [°C] | -40 / +80 |
| Mechanical durability (Millions of operations) | 0.3 |
| B10d (million of operations) | 0.6 |
| Max. switching frequency [Cicli/h] | 3600 |

Electrical Specifications

| | |
|--|--|
| | |
|--|--|

Protection Category

| | |
|-------------------------|----|
| IP Degree of Protection | 65 |
|-------------------------|----|

Additional Information

Family Name

| | |
|-----------------------------|---------------|
| EAN | 8000126233360 |
| Custom Tariff Number | 85371098 |

Classification

| | |
|-------------------------|--|
| eCI@ss (Version) | |
| UNSPSC (Version) | |

Approvals

| | |
|----------------------|-------------------------|
| Declarations | CE – UKCA |
| Standards Met | EN 60947-5-1 and UL 508 |

Similar Products

| Stock No. | Brand | Product Name | Attribute 1 | Attribute 2 | Attribute 3 |
|-----------|--------|--------------|-------------|-------------|-------------|
| XXX-XXXX | RS PRO | | | | |
| XXX-XXXX | RS PRO | | | | |

Connection Diagrams / Assembly Diagrams / Illustrations / Accessories