



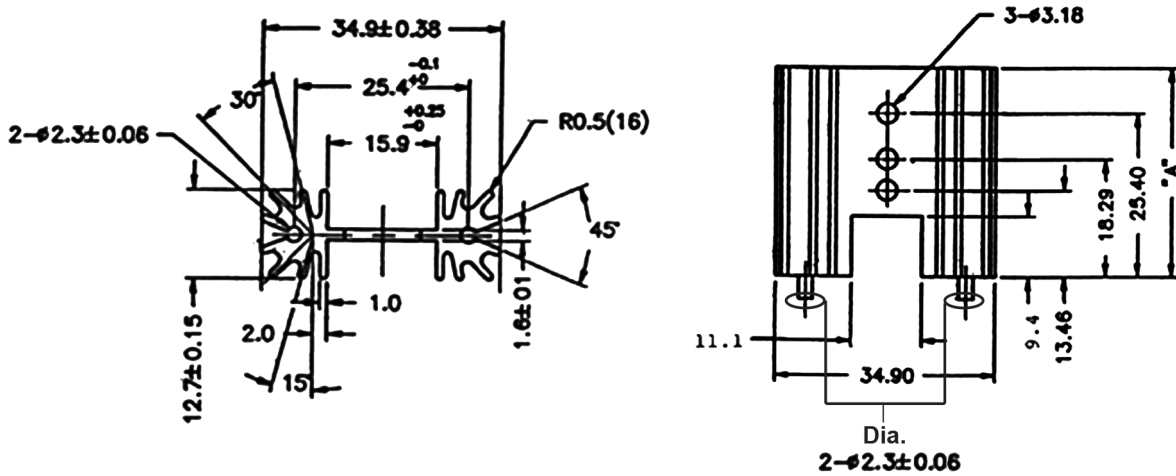
Description

Compact, vertical mounting extruded heatsink with solderable fixing pins. Designed for a single TO-220 package via clip available separately or mounting holes.

Features

- Screw or clip mount
- Solderable mounting pins
- Black anodize finish

Diagram



Guide pin diameter: 2.3mm ±0.06mm

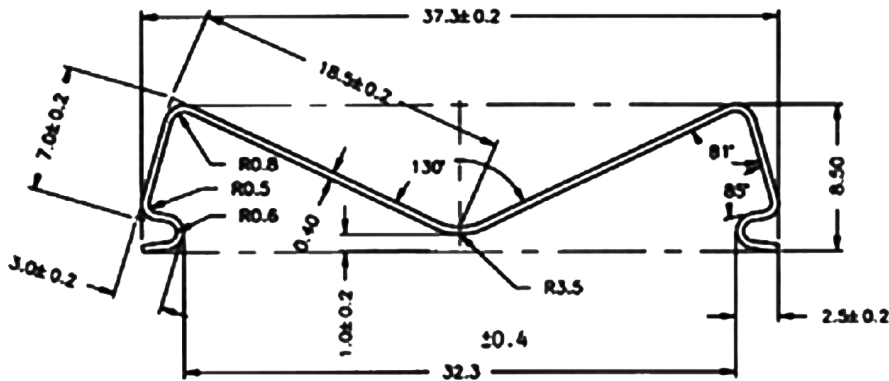
Part Number	Thermal Resistance	Height	Width	Length
MC33263	13.4°C/W	25.4mm	34.9mm	12.85mm
MC33264	10.4°C/W	38.1mm		

Dimensions : Millimetres

Clip



Diagram



Part Number Table

Description	Part Number
Heatsink TO-220 14°C/W	MC33263
Heatsink TO-220 11°C/W	MC33264
Clip 004	MC33296

Dimensions : Millimetres

Important Notice : This data sheet and its contents (the "Information") belong to the members of the AVNET group of companies (the "Group") or are licensed to it. No licence is granted for the use of it other than for information purposes in connection with the products to which it relates. No licence of any intellectual property rights is granted. The Information is subject to change without notice and replaces all data sheets previously supplied. The Information supplied is believed to be accurate but the Group assumes no responsibility for its accuracy or completeness, any error in or omission from it or for any use made of it. Users of this data sheet should check for themselves the Information and the suitability of the products for their purpose and not make any assumptions based on information included or omitted. Liability for loss or damage resulting from any reliance on the Information or use of it (including liability resulting from negligence or where the Group was aware of the possibility of such loss or damage arising) is excluded. This will not operate to limit or restrict the Group's liability for death or personal injury resulting from its negligence. Multicomp Pro is the registered trademark of Premier Farnell Limited 2019.