

FEATURES

- For Solar PV power generation systems
- Inline Male and Female fused connectors with NEC Interlocks
- Takes 10x85mm 1500V solar fuse (not included)
- Flame retardant thermoplastic with UV protection
- Watertight IP68
- Suitable for cable sizes from 2.5, 4.0 and 6.0mm²
- TUV certified to EN50618

RS PRO Solar Connectors Fused Inline Male and Female

RS Stock No.: 2394961



RS Professionally Approved Products bring to you professional quality parts across all product categories. Our product range has been tested by engineers and provides a comparable quality to the leading brands without paying a premium price.

Product Description

- Solar Fused inline connections used for connecting cables safely in Solar PV power generation systems
- For all solar applications with NEC interlocks and 1500V DC capability
- Solar Fused PV inline connectors with crimp connection and part of a range of branch, panel & inline fuse options and unlocking tools for safe, reliable IP rated connections in Solar power generating sets

General Specifications

Number Of Contacts	1 per Male 1 per Female
Gender	Male & Female
Body Orientation	Straight Inline
Mounting Type	Straight fused connection
Connector	NEC Interlock
Part Code options	RS Pro 2394965 (Male Connector only) RS Pro 2394963 (Female Connector only) RS Pro 2394961 (Male and Female connector)
Locking system	Snap in with NEC interlock
Termination Method	Crimped Connection Internally
Contact Material	Copper with Tin plating
Insulating Material	NORYL 9406P PPE+PS
Dimensions	Male and Female fused connector 118.5x24x13mm
Pollution Degree	3
Operating Cycle	100
Number of Bendings	100
Application	All Solar PV System generating sets
Stripping Length	8mm-10mm
Insertion Force	≤50N
Withdrawal Force	≥50N
Salt Mist Spray Test	IEC60068-2-52, Severity Level 6
Material Flammability Rating	UL94 V-0

Electrical Specifications

Current Rating	25A (2.5 mm ²), 45A (4 mm ²), 54A (6 mm ²) TUV
Voltage Rating	1500V DC
Rated Impulse Voltage	16kV
Rated Withstand Voltage	8kV
Application Class	A
Contact Resistance	<0.25 mΩ
Fuse required?	Yes - dependent of fuse size from 4A to 30A
Built in contacts?	Yes

Mechanical Specifications- Fused Male and Female

Length	164mm
Width	22.6mm
Depth	11.0mm
Maximum Mating Force	≤50N
Minimum Unmating Force	≥50N
Stripping Length	8mm-10mm

Operation Environment Specifications

Maximum Operating Temperature	+110°C Limit Temperature (+85°C Upper Ambient Temperature)
Minimum Operating Temperature	-40°C Lower Ambient Temperature

Protection Category

Degree Of Protection	IP 68 Mated Condition (10hrs @1m)
-----------------------------	-----------------------------------

Classification

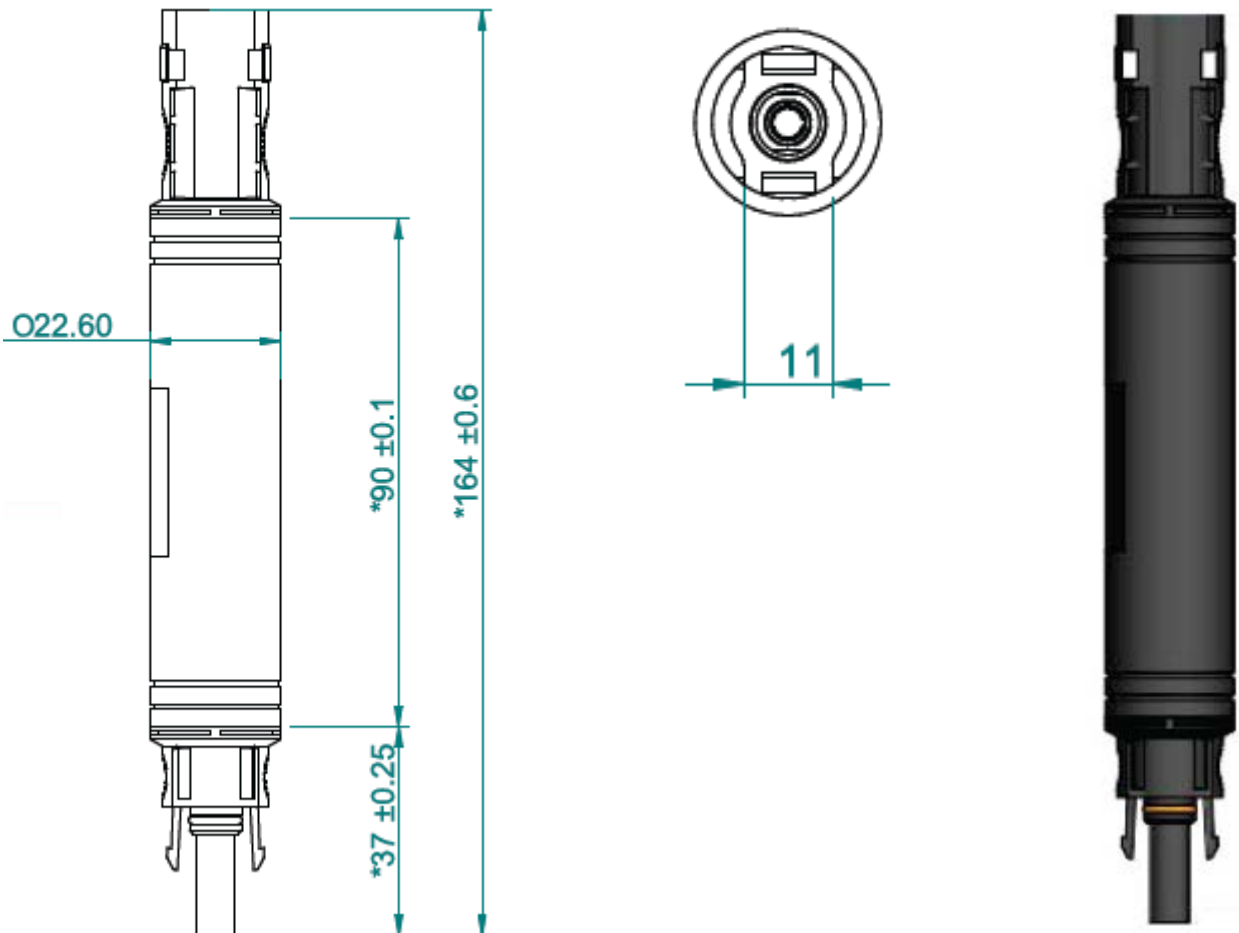
eCI@ss Version	V11.0: 27060313
UNSPSC Version	39122221
ETIM 8.0 Version	EC002635
Harmonisation Code	85369090

Approvals

Compliance/Certifications	CE / UKCA / TUV
Declarations	IEC 62582:2014 IEC 60269-2:2013 IEC 60269-1:2014

Dimensional Drawings

Female & Male Fused Connector



Tools

Tool required for opening

Yes - RS Pro Stock no 239-4987

