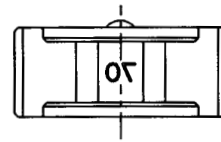
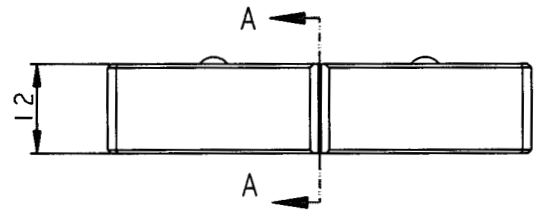
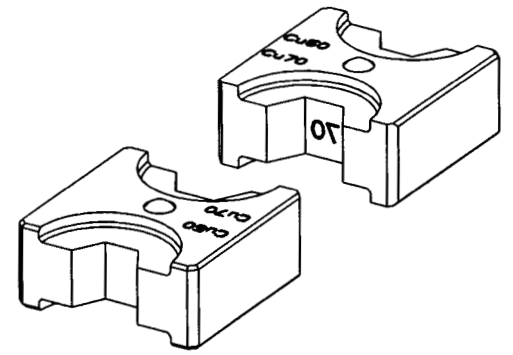
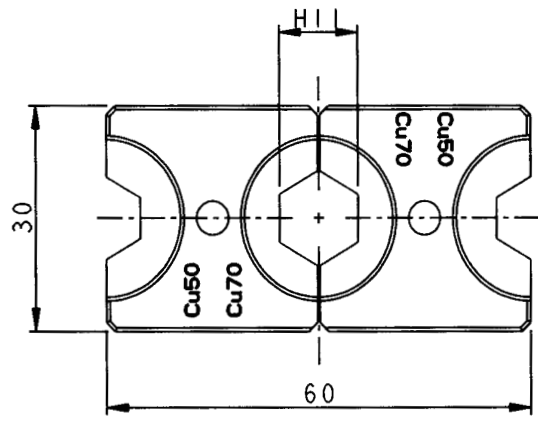
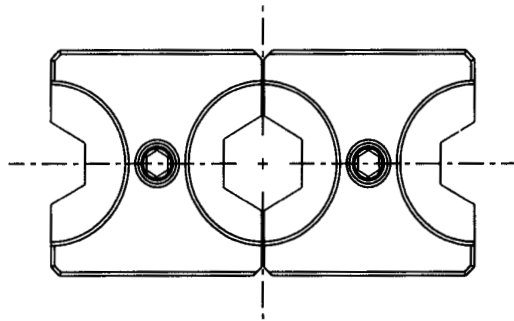


A B C D E F G H

REV	DESCRIPTION	DATE
-----	-------------	------



SECTION A-A



Tolerance Unless Otherwise Specified	
0 >	mm ± ANGLE
>	mm ± 0° > REF ±
>	mm ± REF ±
>	mm ± REF ±

NAME	HEXAGONAL DIES FOR THX-185 HYDRAULIC CRIMPING TOOL				UNIT	mm
PART NO.	DIE-THX185(H)-70	MATERIAL	SCM415	APPROVED	[Signature]	
NUMBER	KS-UD178-C	SCALE	SHEET	PAGE	CHECKED	[Signature]
DATE	2007/01/26	1:1	1-0	1 OF 1	DRAWN	林昌宜