



Main

Range of product	Harmony GTU
Product or component type	Flat screen
Terminal type	Touchscreen display
[Us] rated supply voltage	12...24 V DC power supply
Supply voltage limits	10.8...28.8 V
Power consumption in W	21 W
Inrush current	30 A

Complementary

Integrated connection type	USB 2.0 type A USB 2.0 type mini B
Touchscreen resolution	1024 x 1024
Pixel resolution	1024 x 600
Display size	12.1 inch
Aspect ratio	4:3
Display type	Colour TFT LCD
Display resolution	1024 x 768 pixels XGA
Display colour	16 million colours
Backlight lifespan	50000 hours
Touch panel	Multi touch analogue resistive
Function available	Brightness sensor
Type of cooling	Natural convection
Type of installation	Indoor installation
Cut-out dimensions	301.5 (+ 1/- 0) x 227.5 (+ 1/- 0) mm
Width	315 mm
Height	241 mm
Depth	67 mm
Net weight	3 kg

Environment

IP degree of protection	Front panel: IP66 Front panel: IP67
NEMA degree of protection	NEMA 4X front panel
Standards	UL 508 ANSI/ISA 12-12-01 Class I division 2 CSA C22.2 No 213 CSA C22.2 No 142 IEC 61132-2
Product certifications	CE[RETURN]UKCA[RETURN]UKEX
Ambient air temperature for operation	0...60 °C conforming to IEC 61131-2
Ambient air temperature for storage	-20...60 °C
Relative humidity	10...90 % non-condensing
Operating altitude	2000 m

Vibration resistance	3.5 mm constant amplitude (f = 5...9 Hz) conforming to IEC 61131-2 9.8 m/s ² (f = 9...150 Hz) conforming to IEC 61131-2
Shock resistance	147 m/s ² conforming to IEC 61131-2
Electromagnetic compatibility	Electrostatic discharge immunity test level 3 conforming to IEC 61000-4-2

Packing Units

Unit Type of Package 1	PCE
Number of Units in Package 1	1
Package 1 Height	18.6 cm
Package 1 Width	33 cm
Package 1 Length	43 cm
Package 1 Weight	4.8 kg
Unit Type of Package 2	CAR
Number of Units in Package 2	2
Package 2 Height	40 cm
Package 2 Width	34 cm
Package 2 Length	44 cm
Package 2 Weight	10 kg
Unit Type of Package 3	P12
Number of Units in Package 3	10
Package 3 Height	55.5 cm
Package 3 Width	80 cm
Package 3 Length	120 cm
Package 3 Weight	48.32 kg

Offer Sustainability

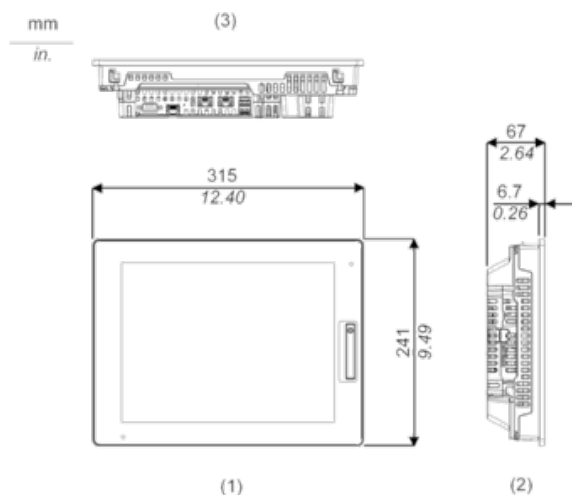
Sustainable offer status	Green Premium product
REACH Regulation	REACH Declaration
EU RoHS Directive	Pro-active compliance (Product out of EU RoHS legal scope)
Mercury free	Yes
China RoHS Regulation	China RoHS Declaration
RoHS exemption information	Yes
Environmental Disclosure	Product Environmental Profile
Circularity Profile	End Of Life Information
WEEE	The product must be disposed on European Union markets following specific waste collection and never end up in rubbish bins

Contractual warranty

Warranty	18 months
----------	-----------

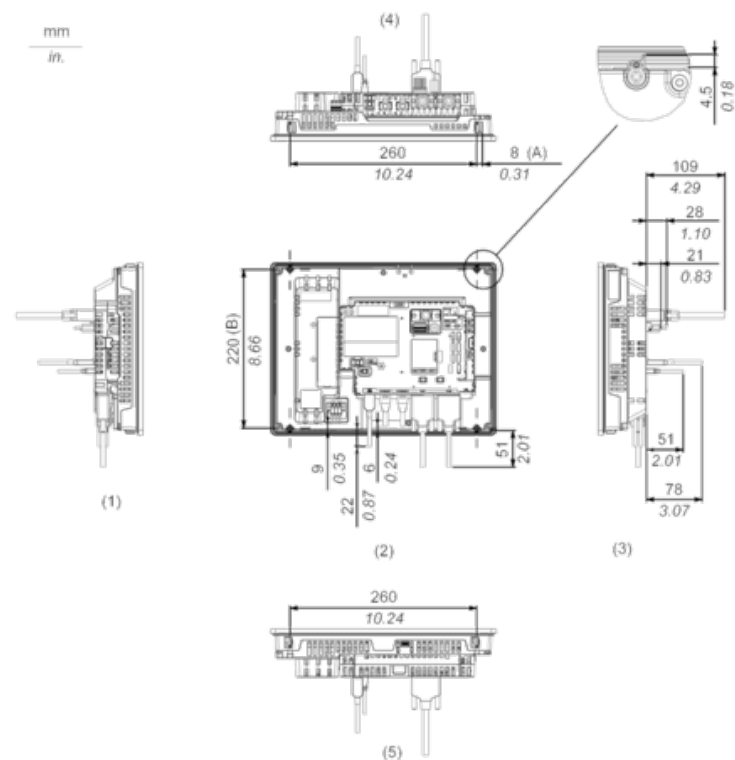
External Dimensions

Display Unit with Box Module



- 1 Front
- 2 Left
- 3 Bottom

Installation with Installation Fasteners and Dimensions with Cables

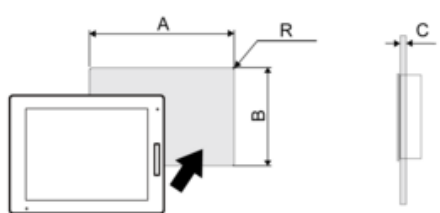


- (A) Rotation area of the fastener
- (B) Pitch of the center of installation fastner screws

- 1 Right
- 2 Front
- 3 Left
- 4 Bottom

Mounting

Panel Cut Dimensions



Dimensions in mm

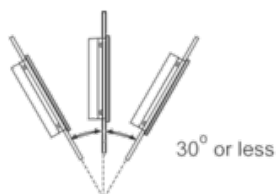
A	B	C	R
301.5 (+1/-0)	227.5 (+1/-0)	1.6...5	3 max.

Dimensions in in.

A	B	C	R
11.87 (+0.04/-0)	8.96 (+0.04/-0)	0.06...0.2	0.12 max.

Installation Requirements

Mounting Angle



When installing this product in a slanted position with an incline more than 30°, the ambient temperature must not exceed 40 °C (104 °F). You may need to use forced air cooling (fan, A/C) to ensure the ambient operating temperature is 40 °C or less (104 °F or less).

Clearance

