

FEATURES

- Glass Fuse (glass body, nickel plated brass cap)
- 5mm x 20mm cartridge size
- F Speed Rating
- RoHS compliant and lead-free

RS PRO, 5A Glass Cartridge Fuse, 5 x 20mm, Speed F

RS Stock No.: 563-526



RS Professionally Approved Products bring to you professional quality parts across all product categories. Our product range has been tested by engineers and provides a comparable quality to the leading brands without paying a premium price.

Product Description

This cartridge fuse is designed to International (IEC) Standards for use globally. It is available in cartridge and axial lead form. They are ideal for providing protection to devices or internal circuits from short circuits and overcurrent. They are deliberately weaker components which, when too much current is drawn, will blow. Once the fuse has blown it will need replacing in order to make the circuit complete and allow the flow of current.

General Specifications

Lead wire	Tin-lead plated copper, Diameter Ø0.8mm.
Fuse Speed	F
Body Material	Glass body/nickel plated brass caps
Applications	Industrial, Commercial, Home/Residential, Automotive

Electrical Specifications

Current Rating	5A
Voltage Rating	250V ac

Mechanical Specifications

Fuse Size	5mm x 20mm
Overall Length	20mm
Diameter	5mm

Operation Environment Specifications

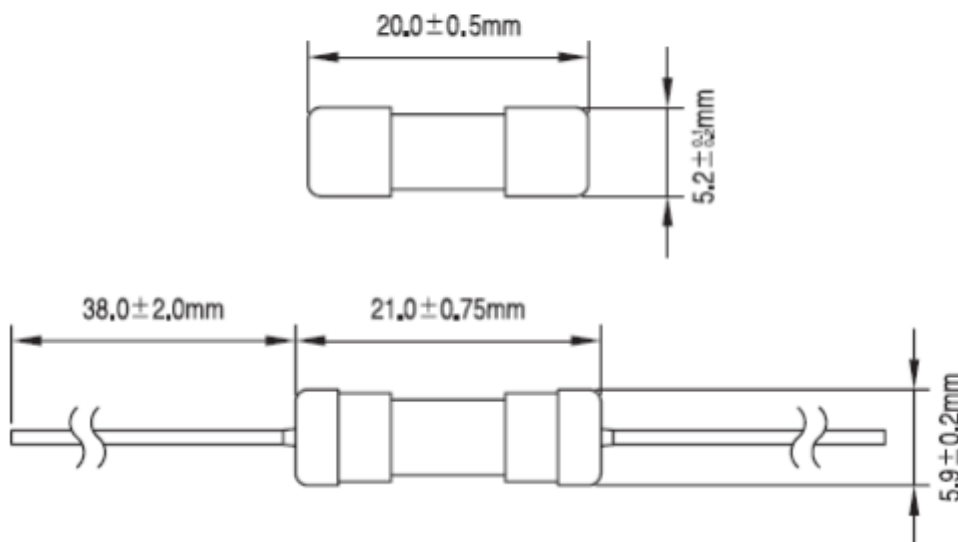
Maximum Operating Temperature	125°C
Minimum Operating Temperature	-55°C

Approvals

Compliance/Certifications	UL, BSI, VDE, SEMKO, IMQ, RoHS
---------------------------	--------------------------------



Drawing (mm):



Electrical Characteristic:

Rated Current	1.5In	2.1In	2.75 In		4 In		10 In
	MIN	MAX	MIN	MAX	MIN	MAX	MAX
63mA~100mA	60 min	30 min	10 ms	500 ms	3 ms	100 ms	20 ms
125mA~6.3A	60 min	30 min	50 ms	2 sec	10 ms	300 ms	20 ms
8A~10A	30 min	30 min	50 ms	2 sec	10 ms	400 ms	40 ms