

ABL2REM24015K

single phase power supply, 100...240V input,
24V DC output, 36W, 1,5A



Main

Range of product	Easy Modicon ABL2
Product or component type	Power supply
Power supply type	Regulated switch mode
Rated power in W	36 W
Main Input Voltage	100...240 V AC single phase
Output voltage	24 V DC
Power supply output current	1.5 A
Operating position	Any position
Vibration resistance	4 gn (f= 10...500 Hz) conforming to EN/IEC 61131-2
Name of test	Electromagnetic hypersensitivity (EHS) conforming to EN 61000-6-2 level A

Complementary

Input voltage limits	85...264 V
Network frequency	47...63 Hz
Inrush current	45 A at 100...240 V AC
Cos phi	0.45
Efficiency	87 %
Power dissipation in W	5.4 W
Current consumption	0.4 A at 240 V
Input protection type	Integrated fuse (not interchangeable)
Output voltage limits	20.4...27.6 V
Line and load regulation	+/- 1 %
Holding time	>= 12 ms at 115 V
Output protection type	Against overload, protection technology: 1.1...1.5 x I _n Against short-circuits, protection technology: 1.1...1.5 x I _n Against overvoltage, protection technology: 28.8...33.6 V
Connections - terminals	For ground connection: screw type terminals, connection capacity: 1 x 4 mm ² AWG 12
Marking	CE
Electromagnetic compatibility	Immunity to electromagnetic interference conforming to EN 55022 class B
Mounting support	DIN rail with accessory Panel mounting with accessory
Operating altitude	5000 m
Output coupling	Series
Overvoltage category	II
Meantime between failure [MTBF]	600000 h at 25 °C
Status LED	1 LED (green) output voltage
Width	99 mm
Height	82 mm
Depth	30 mm
Product weight	0.23 kg

The information provided in this documentation contains general descriptions and/or technical characteristics of the performance of the products contained herein. This documentation is not intended as a substitute for and is not to be used for determining suitability or reliability of these products for specific user applications. It is the duty of any such user or integrator to perform the appropriate and complete risk analysis, evaluation and testing of the products with respect to the relevant specific application or use thereof. Neither Schneider Electric Industries SAS nor any of its affiliates or subsidiaries shall be responsible or liable for misuse of the information contained herein.

Environment

Product certifications	EAC IC RoHS KC RCM
IP degree of protection	IP20 conforming to IEC 62368-1
Ambient air temperature for operation	-30...70 °C (with power derating of 2.5 % per °C)
Ambient air temperature for storage	-40...85 °C
Relative humidity	10...95 %
Overvoltage category	Class I conforming to IEC 62368-1
Pollution degree	2
Dielectric strength	2000 V between input and ground

Packing Units

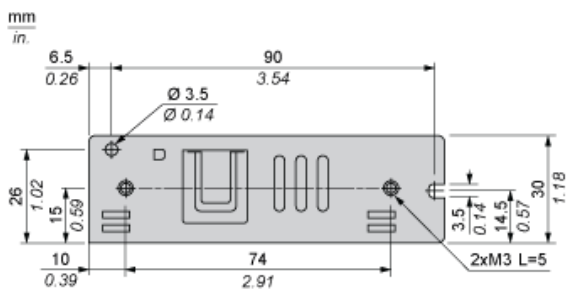
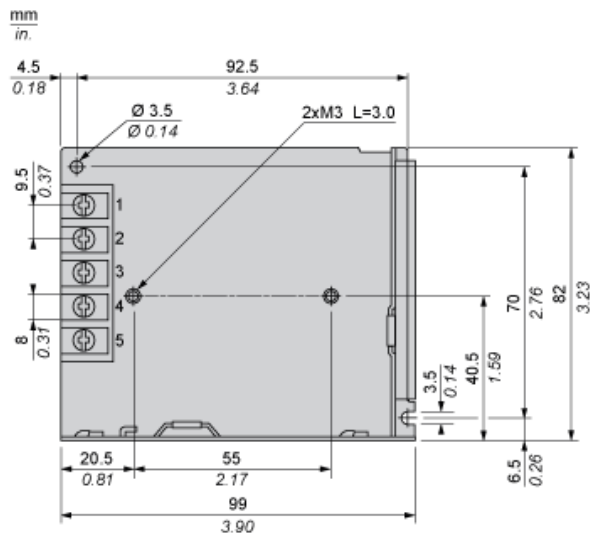
Unit Type of Package 1	PCE
Number of Units in Package 1	1
Package 1 Height	3.744 cm
Package 1 Width	8.79 cm
Package 1 Length	10.549 cm
Package 1 Weight	231.0 g
Unit Type of Package 2	S03
Number of Units in Package 2	63
Package 2 Height	30.0 cm
Package 2 Width	30.0 cm
Package 2 Length	40.0 cm
Package 2 Weight	15.19 kg

Offer Sustainability

REACH Regulation	REACH Declaration
REACH free of SVHC	Yes
EU RoHS Directive	Pro-active compliance (Product out of EU RoHS legal scope) EU RoHS Declaration
Mercury free	Yes
China RoHS Regulation	China RoHS Declaration
RoHS exemption information	Yes

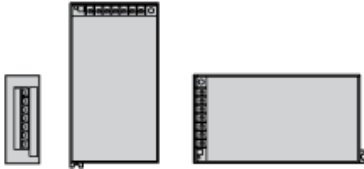
Dimensions Drawings

Mechanical Dimensions



Mounting and Clearance

Vertical Mounting

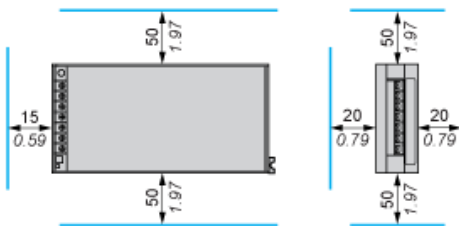


Horizontal Mounting



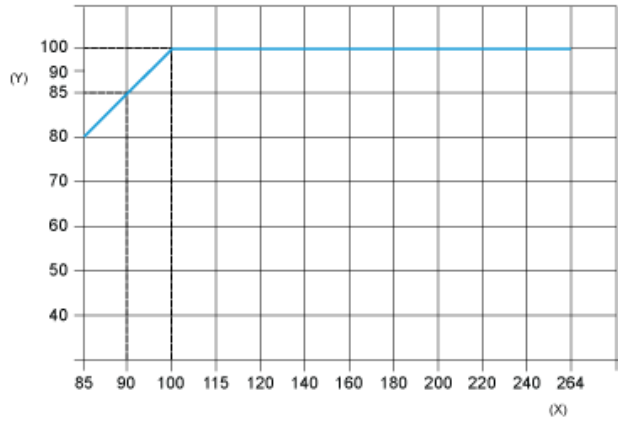
Clearance

mm
in.



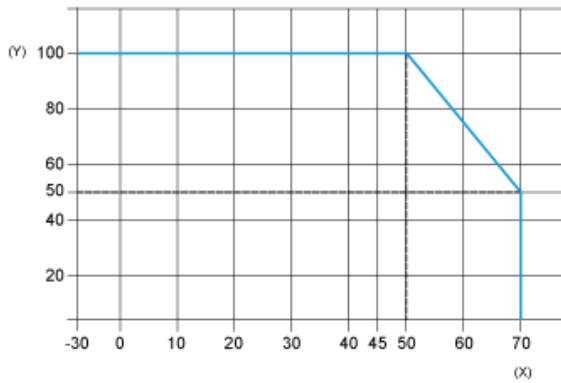
Performance Curves

Static Characteristics



- (y) Load %
- (x) Input voltage (VAC) 50/60 Hz

Derating Curve



- (y) Load %
- (x) Ambient temperature (°C)