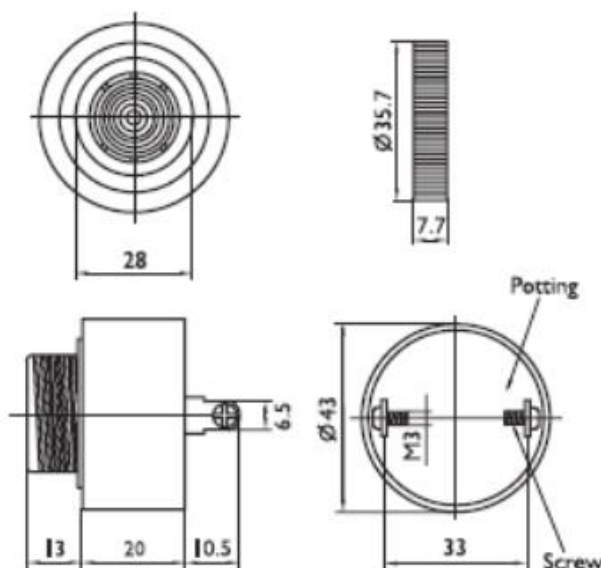


Datasheet

RS 30 → 120 V ac/dc 98dB Panel Mount Continuous Internal Piezo Buzzer

RS Stock 780-0709



Features:

- Colour: Black
- Housing material: ABS
- Panel mounted

All data at 25°C unless otherwise specified.

SPECIFICATIONS	Piezo Indicator
Operating Voltage	30-120VDC/AC
Rated Current at rated voltage max	17mA
Sound Output at 30cm, at rated voltage	≥98dB
Resonant Frequency	2800±500Hz
Tone	Continuous
Operating Temperature	-20 ~ +60°C
Storage Temperature	-30 ~ +70°C
Weight	43g
Drive Type	Internal