

# USB 3.1 Cable Assembly

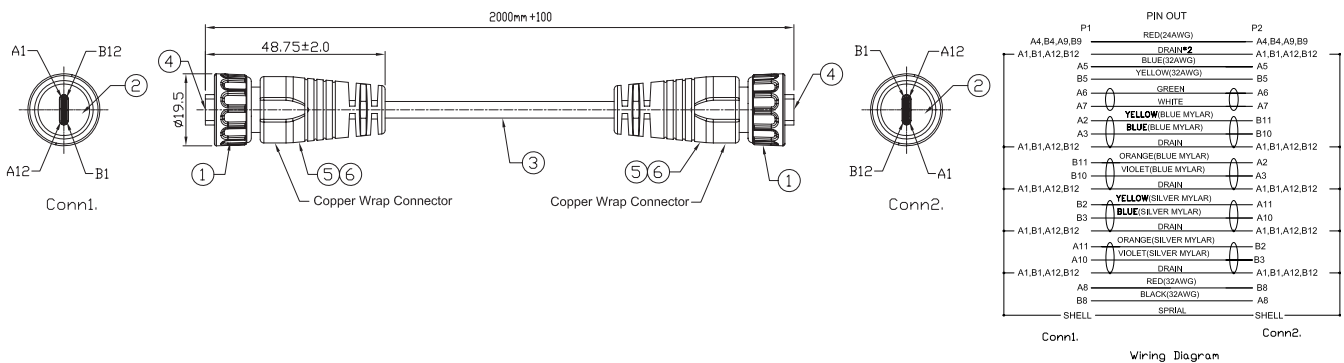
**multicomp** PRO

**RoHS  
Compliant**

## Specifications

Current Rating	: 5A
AWG Gauge	: 26AWG / 32AWG
Temperature Range	: -40°C to +85°C
Insulation Resistance	: DC100V ±10%, test for 1 minute and the insulation resistance should be more than 5MΩ
Dielectric Withstanding Voltage	: 100V DC/AC peak, contact-to-contact, for 1min.
Contact Resistance	: 30mΩ at 10mA Max.
Waterproof Rate	: IP68

## Diagram



No.	Part Name	Material / Finish	Qty.
1	Screw Nut	Zn Alloy; Finish: Ni Plated	1
2	Rubber Pad	Silicone; Colour: Black	
3	Cable	UL21572 (1P/32#+EAM)×4+(1P/32#+A)+(4C/32#)+(1C/24#)+2EAB 85% OD: 4.8mm; Black TPE Jacket	
4	USB Type C 3.1	Housing Thermoplastic; Colour: Black	
		Contacts: Copper Alloy, Finish: Au Plated	
		Shell: Stainless Steel, Finish: Au Plated	
5	Inner Mold	PVC; Colour: Black	
6	Over Mold	PVC; Colour Black	2

## Part Number Table

Description	Part Number
USB-C twin head Plug with Cable, 2m	MP011938

Dimensions : Millimetres

**Important Notice** : This data sheet and its contents (the "Information") belong to the members of the AVNET group of companies (the "Group") or are licensed to it. No licence is granted for the use of it other than for information purposes in connection with the products to which it relates. No licence of any intellectual property rights is granted. The Information is subject to change without notice and replaces all data sheets previously supplied. The Information supplied is believed to be accurate but the Group assumes no responsibility for its accuracy or completeness, any error in or omission from it or for any use made of it. Users of this data sheet should check for themselves the Information and the suitability of the products for their purpose and not make any assumptions based on information included or omitted. Liability for loss or damage resulting from any reliance on the Information or use of it (including liability resulting from negligence or where the Group was aware of the possibility of such loss or damage arising) is excluded. This will not operate to limit or restrict the Group's liability for death or personal injury resulting from its negligence. Multicomp Pro is the registered trademark of Premier Farnell Limited 2019.

Newark.com/multicomp-pro  
Farnell.com/multicomp-pro  
sg.element14.com/b/multicomp-pro

**multicomp** PRO