

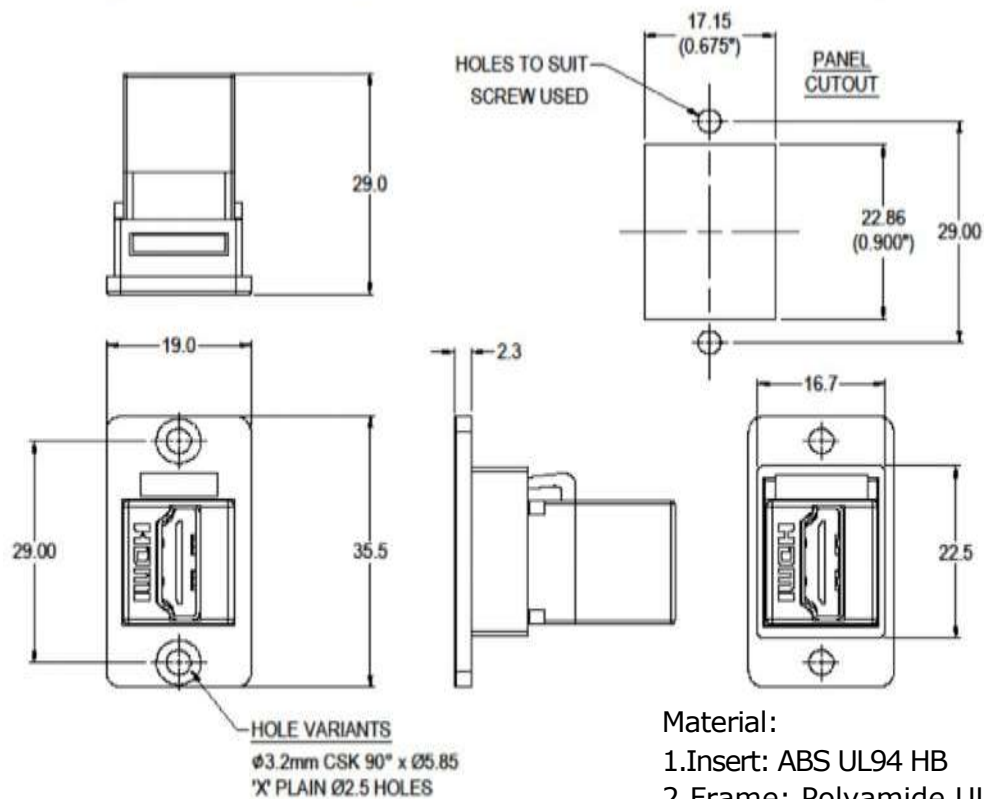


ENGLISH

Datasheet

RS PRO SLIM FRONT MOUNTING HDMI F-F GOLD FT CONNECTOR

Stock No: 2188298, 2188299



Material:

- 1.Insert: ABS UL94 HB
- 2.Frame: Polyamide UL94 V-2
- 3.Shell: Gold plated
- 4.Contacts: Gold Plated

rspro.com

Features & Benefits:

- Fits standard rectangular cutout.
- Various hole mounting options
- No soldering or punch termination. Use standard cable for each connector style.
- Low rear profile

General:

Please note: Functionality is affected by cable quality, length and cable wiring configuration.

Variants.

2188298- FM SLIM FT HDMI F-F Black plastic frame, CSK holes

2188299- FM SLIM FT HDMI F-F Black plastic frame, Ø2.5 PLAIN holes

