

## FEATURES

- 1/2" thermostat (12.4mm height)
- UL/cUL & ENEC17 approved
- Normally closed & Normally open type

## RS PRO Bimetal thermostat

RS Stock No.:

2228219, 2228223, 2228225,  
2228227, 2228228, 2228230,  
2228231, 2228233, 2228235,  
2228239, 2228241, 2228249,  
2228251, 2228253



RS Professionally Approved Products bring to you professional quality parts across all product categories. Our product range has been tested by engineers and provides a comparable quality to the leading brands without paying a premium price.

### Product Description

This type of thermostat is widely applied to temperature controlling and overheating protection. It's usually used in appliances such as water heater, welding machine, home laundry, etc. Contacts are thermally and electrically isolated. Dust-proof performance is achieved by ceramic, PPS or phenolic case.

### General Specifications

<b>Operating life</b>	100,000 cycles (15A 125VAC/10A 250VAC) 100,000 cycles (16A 250VAC)
<b>Contact type</b>	NC or NO
<b>Case</b>	PPS or Phenolic

### Electrical Specifications

<b>Electrical rating</b>	16A 250VAC/15A 125VAC 10A 250VAC (resistive load)
<b>Circuit resistance</b>	50m $\Omega$ max.
<b>Insulation resistance</b>	100m $\Omega$ min. at 500VDC
<b>Dielectric rating</b>	1250VAC for one minute

### Additional Information

<b>Custom Tariff Number</b>	9032100000
-----------------------------	------------

### Approvals

<b>Declarations</b>	MFR Declaration of Conformity
<b>Hazardous Area Certification</b>	RoHs 2011/65/EU&2015/863, REACH
<b>Standards Met</b>	UL/cUL, ENEC17, CQC

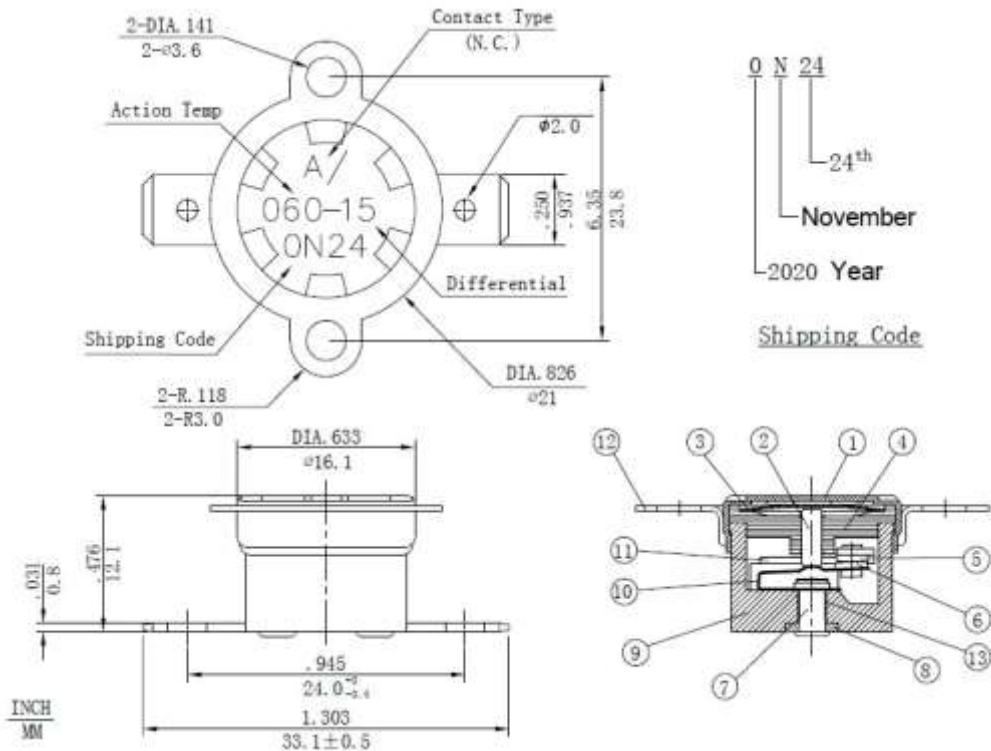
**Similar Products**

Stock No.	Brand	Product Name	Contact type	Action temp.	Reset temp.
2228219	RS PRO	Bimetal thermostat	NC	20°C	10°C
2228223	RS PRO	Bimetal thermostat	NC	30°C	20°C
2228225	RS PRO	Bimetal thermostat	NC	50°C	35°C
2228227	RS PRO	Bimetal thermostat	NC	60°C	45°C
2228228	RS PRO	Bimetal thermostat	NC	70°C	55°C
2228230	RS PRO	Bimetal thermostat	NC	80°C	65°C
2228231	RS PRO	Bimetal thermostat	NC	90°C	75°C
2228233	RS PRO	Bimetal thermostat	NC	100°C	85°C
2228235	RS PRO	Bimetal thermostat	NC	110°C	95°C
2228239	RS PRO	Bimetal thermostat	NC	125°C	110°C
2228241	RS PRO	Bimetal thermostat	NC	150°C	135°C
2228249	RS PRO	Bimetal thermostat	NO	35°C	20°C
2228251	RS PRO	Bimetal thermostat	NO	60°C	45°C
2228253	RS PRO	Bimetal thermostat	NO	70°C	55°C

# Bimetal thermostat



2228227



2228249

