

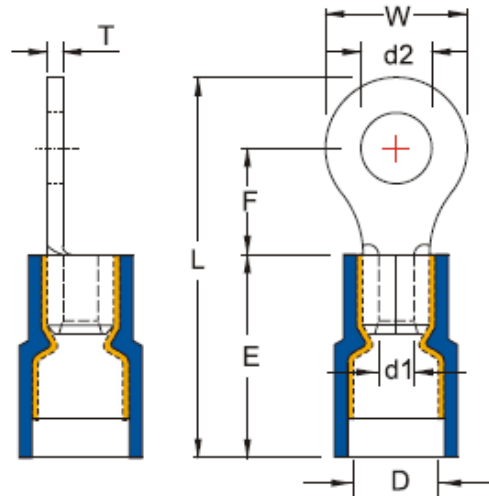
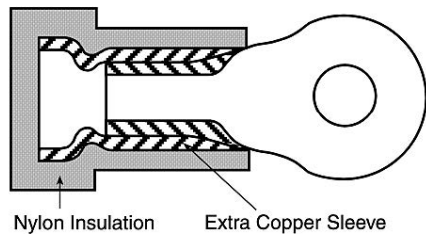


# Datasheet

ENGLISH

## RS PRO Yellow Insulated Crimp Ring Terminal, 4mm<sup>2</sup> to 6mm<sup>2</sup>, 12 AWG to 10 AWG, 5.3mm Stud Size

RS Stock number [267-3880](#)



### Technical Specification

**Maximum Electrical Current:** 12 AWG: 35A, 10 AWG: 50A

**Maximum Electrical Rating:** 105°C 600V maximum

**Insulation Material:** Nylon

**Insulation Colour:** Yellow

**Terminal Material:** Copper

**Double Crimp:** With copper sleeve on barrel

### Dimensions

Wire Size (mm <sup>2</sup> /AWG)	Stud Size		Dimensions (inch/mm)						
	d2		W	F	L	E	D	d1	T
	Size	(inch/mm)							
4-6 mm <sup>2</sup> /12-10 AWG	#10	.209/5.3	.374/9.5	.327/8.3	1.024/26.0	.512/13.0	.276/7.0	.134/3.4	.039/1.0