

## FEATURES

- Single handed operation
- Light and compact
- Safety version
- Silicon free

# RS PRO PLUG WITH REST FOR RUBBER HOSE - ITALIAN 5 mm

RS Stock No.: 2312513



RS PRO Professionally Approved Products bring to you professional quality parts across all product categories. Our product range has been tested by engineers and provides a comparable quality to the leading brands without paying a premium price.

## Product Description

The RS PRO plug with rest for rubber hose-Italian 5 mm works in 0 to 16 bar pressure range. It mainly used in compressed air & tools, pneumatic & fluid technology, food & beverages. It has operating temperature range from - 20 °C + 80 °C.

## General Specifications

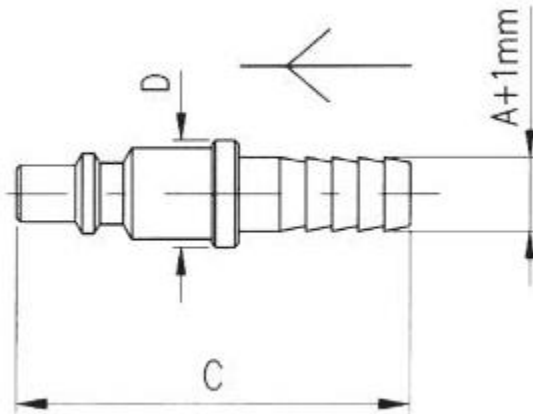
|                      |  |
|----------------------|--|
| <b>Coupling Type</b> | Straight   |
| <b>Body Material</b> | Brass  |
| <b>Application</b>   | Compressed Air, Pneumatic Automation, Textile, Packaging, Handling |

## Mechanical Specifications

|                                 |       |
|---------------------------------|-------|
| <b>Maximum Working Pressure</b> | 16bar |
| <b>Connector Gender</b>         | Male  |
| <b>Hose Inner Diameter</b>      | 12mm  |
| <b>Hose Outer Diameter</b>      | 16mm  |

## Similar Products

| Parameters               | 2312502   | 2312503   |
|--------------------------|---|---|
| Brand                    | RS PRO  | RS PRO  |
| Coupling Type            | Straight  | Straight  |
| Body Material            | Brass   | Brass   |
| Maximum Working Pressure | 10bar   | 10bar   |
| Connector Gender         | Male  | Male  |
| Hose Inner Diameter      | 4mm   | 6mm   |
| Hose Outer Diameter      | 11mm  | 11mm  |
| Application              | Compressed Air,<br>Pneumatic Automation,<br>Textile, Packaging,<br>Handling | Compressed Air,<br>Pneumatic<br>Automation, Textile,<br>Packaging, Handling |



| A  | C    | D  | Pack. |
|----|------|----|-------|
| 12 | 47.5 | 16 | 10    |