



ENGLISH

RS Pro Anti-Vibration Flange Mount

SCM mounts are ideal for use on static applications such as small pumps, engines and light electronic equipment.



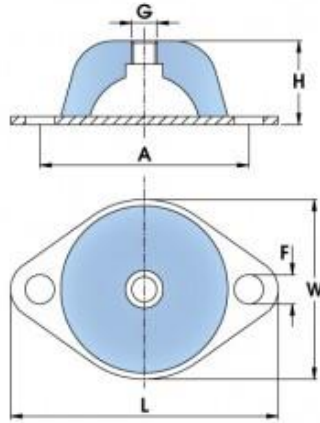
Features:

Achieves high isolation values (both active and passive) of low frequency vibration

- Attenuates shock loads due to its deflection capacity.
- Available in stainless steel metal for food & mining industry applications

Applications:

- Fans
- Pumps
- Stationary generator sets
 - Vibrating screens
- Bulk bin load and discharge units
- Computers, security cameras
- Packaging and transit case mountings



RS Part No	Description	H (mm)	L (mm)	W (mm)	G	A (mm)	F (mm)	Max Load (kg)	Max Deflection (mm)
1263580	Shear Compression Mount 136x40 M10 60 ShA NR	40	136	96	M10	110	11.5	130	11
1263579	Shear/Compr. Mount 151x45 M10 60 ShA NR	40	136	96	M10	110	11.5	500	13
1263904	Shear/Compr. Mount 64x20 M6 60 ShA NR	20	64	43	M6	50	7	9	3.5
1263576	Shear/Compr. Mount 85x25 M10 60 ShA NR	25	88	59	M10	66	8	40	4.5