



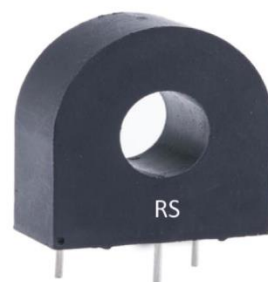
ENGLISH

Datasheet

Stock No: 173-0217

RS Pro

Low Cost 50/60Hz Current Transformers



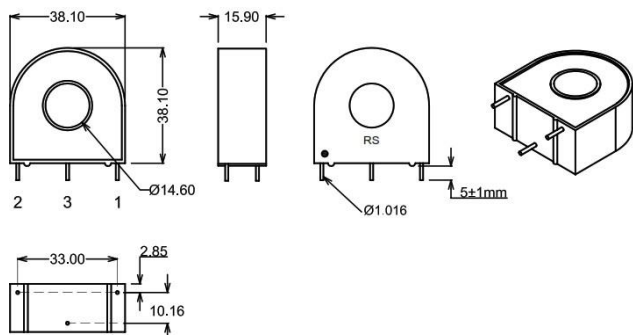
Application

- Sensing Overload Current
- Ground fault detection
- Metering
- Analog to Digital Circuits
- Fully ROHS & REACH Compliance
- All Materials UL94-V0
- Storage temperature -55°C to +130°C

Electrical Specifications @ 20°C ambient

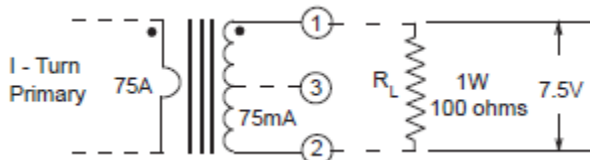
| | |
|---|---------------------|
| Primary Current | 75A nom., 200A max. |
| Turns Ratio | 1000:1 nominal |
| Volt per Amp Ratio at 75A for 100 Ω load | 0.100 V/A |
| Volt per Amp Ratio at 7.5A for 100 Ω load | 0.0984 V/A |
| DC Resistance at 20°C | 24 Ω |
| Dielectric Withstanding Voltage (Hi-pot) | 4KVrms |

Mechanical Dimensions



Notes:

- 1) Unless requested, the terminating resistor and the one-turn primary are not supplied
- 2) Pin 3: Normally for mechanical support only but will be used on center tapped designs
- 3) Tolerance $\pm 0.20\text{mm}$





Response Curves

AC1075

ENGLISH

