

Distribution Terminal Blocks multicomp^{PRO}

RoHS
Compliant



Features

- Space Saving : compact
- Tinned copper block: high conductivity
- IP 20 protection / UL finger-safe: improved safety
- Cable fixing screw diameters >95% fill ratio: excellent electrical contact, safe connections
- Visual inspection of wire: confirmation of connection
- Hinged or removable cover: easy wiring
- Clip-on DIN rail or mount to panel with screws: easy fixing

Metric System	mm ²			(Nm)
	10 to 35	×1		8.5
	6 to 16**	×1		3.5
	2,5 to 16	×6 ×4		3.5

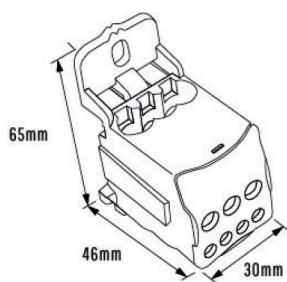
** Or common jumper wire

U.S. Regulations	AWG			Torque
	8 to 1/0	×1		57
	14 to 4	×1		31
	14 to 4	×6		31

MP011725

Modular: Keeping only one input the blocks can be connected in parallel using a jumper wire. Easily double or triple the neutral.

Installation Hole: 54mm

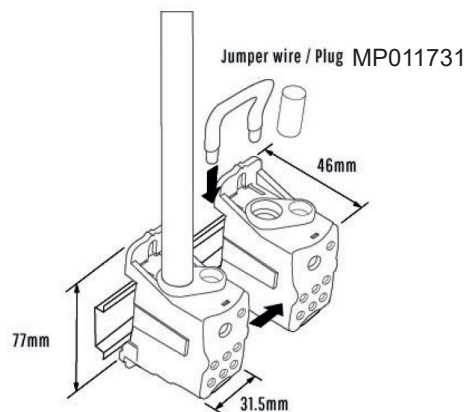


I=80 A IEC
I=85 A UL/CSA
Icw KA rms Is:3
IPK KA: 22
Ui:690V IEC
Vin 600V UL

MP011726

Modular: Keeping only one input the blocks can be connected in parallel using a jumper wire. Easily double or triple the neutral.

Installation Hole: 64mm



I=125 A IEC
I=150 A UL/CSA
Icw KA rms Is:4.2
IPK KA: 30
Ui:690V IEC
Vin 600V UL

Newark.com/multicomp-pro
Farnell.com/multicomp-pro
sg.element14.com/b/multicomp-pro

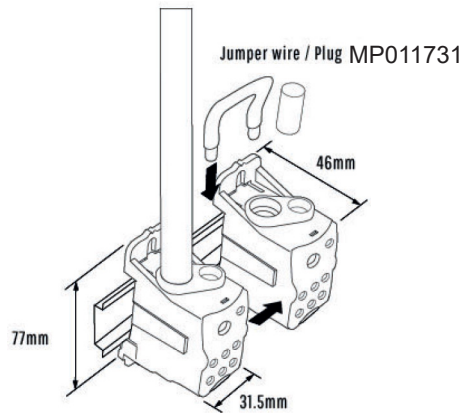
multicomp^{PRO}

Distribution Terminal Blocks multicomp^{PRO}

MP011727

Modular: Keeping only one input the blocks can be connected in parallel using a jumper wire. Easily double or triple the neutral.

Installation Hole: 64mm

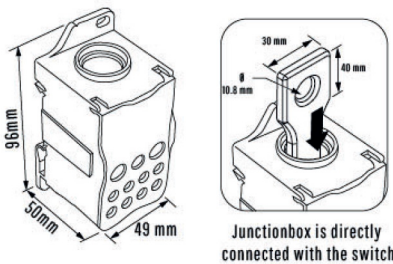


- I=160 A IEC
- I=200 A UL/CSA
- lcw KA rms Is:11.8
- IPK KA: 30
- Ui:690V IEC
- Vin 600V UL

MP011729 355Amp

Modular: Allows versatile building of power blocks single pole two pole three pole or four pole

Installation Hole: 85mm × 29mm

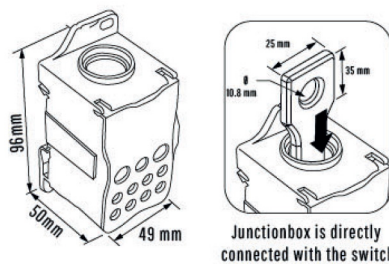


- I=400 A IEC
- I=335 A UL/CSA
- lcw KA rms Is:24.5
- IPK KA: 51
- Ui:690V IEC
- Vin 600V UL

MP011728

Modular: Allows versatile building of power blocks single pole two pole three pole or four pole

Installation Hole: 85mm × 29mm

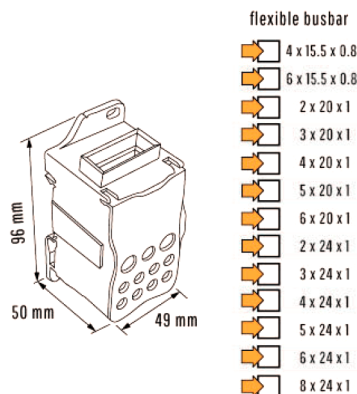


- I=250 A IEC
- I=255 A UL/CSA
- lcw KA rms Is:24.5
- IPK KA: 51
- Ui:690V IEC
- Vin 600V UL

MP011730 520Amp

Modular: Allows versatile building of power blocks single pole two pole three pole or four pole

Installation Hole: 85mm × 29mm



- I=500 A IEC
- I=520 A UL/CSA
- lcw KA rms Is:24.5
- IPK KA: 51
- Ui:690V IEC
- Vin 600V UL

Newark.com/multicomp-pro
 Farnell.com/multicomp-pro
 sg.element14.com/b/multicomp-pro

multicomp^{PRO}

Distribution Terminal Blocks multicomp^{PRO}

Accessories

MP011731



Jumper Wire / Plug

Part Number Table

Description	Part Number
Distribution Terminal Block, IP20, 80A	MP011725
Distribution Terminal Block, IP20, 125A	MP011726
Distribution Terminal Block, IP20, 160A	MP011727
Distribution Terminal Block, IP20, 250A	MP011728
Distribution Terminal Block, IP20, 400A	MP011729
Distribution Terminal Block, IP20, 500A	MP011730
Accessory Jumper Wire / Plug	MP011731

Important Notice : This data sheet and its contents (the "Information") belong to the members of the AVNET group of companies (the "Group") or are licensed to it. No licence is granted for the use of it other than for information purposes in connection with the products to which it relates. No licence of any intellectual property rights is granted. The Information is subject to change without notice and replaces all data sheets previously supplied. The Information supplied is believed to be accurate but the Group assumes no responsibility for its accuracy or completeness, any error in or omission from it or for any use made of it. Users of this data sheet should check for themselves the Information and the suitability of the products for their purpose and not make any assumptions based on information included or omitted. Liability for loss or damage resulting from any reliance on the Information or use of it (including liability resulting from negligence or where the Group was aware of the possibility of such loss or damage arising) is excluded. This will not operate to limit or restrict the Group's liability for death or personal injury resulting from its negligence. Multicomp Pro is the registered trademark of Premier Farnell Limited 2019.

Newark.com/multicomp-pro
Farnell.com/multicomp-pro
sg.element14.com/b/multicomp-pro

multicomp^{PRO}