

## FEATURES

- Operating force: 2N - 5N
- Contact bounce: 10 ms
- Mechanical life: 1000000 cycles
- Soldering: 350°C maximum for 5 seconds

# RS PRO Single Pole Single Throw (SPST) Momentary Miniature Push Button Switch, IP67, 13.6 (Dia.) mm, Panel Mount

RS Stock No.: 734-6704



RS Professionally Approved Products bring to you professional quality parts across all product categories. Our product range has been tested by engineers and provides a comparable quality to the leading brands without paying a premium price.

## Product Description

This Sub-Miniature push button switch with momentary switch operation and 1-pole on-off switch from our own RS PRO brand offer an excellent mechanism for controlling a machine or a process.

A cap is made from high-quality Polyamide 6/6 with gold over silver plated contact. Push button switches available with threaded bushing or snap in panel mounting.

## General Specifications

<b>Switch Operation</b>	Momentary
<b>Contact Configuration</b>	Single Pole Single Throw (SPST)
<b>Illuminated</b>	No
<b>Actuator Shape</b>	Dome
<b>Case Colour</b>	Black
<b>Applications</b>	Test Equipment, Telecommunications, Networking, Handheld Appliances

Material Characteristics	
<b>Case</b>	Dially Phthalate (DAP)(UL94v-0)
<b>Cap</b>	Polyamide 6/6
<b>Bushing</b>	Polyamide 6/6
<b>Contact</b>	Gold over silver plated
<b>Terminals</b>	Gold over silver plated

## Electrical Specifications

<b>Voltage Rating</b>	32/50/125V ac
<b>Terminal Type</b>	Solder
<b>Actuator Type</b>	Cap
<b>Soldering</b>	350°C max. for 5 seconds

Contact Specifications	
<b>Contact AC Voltage Rating</b>	32 V, 125 V
<b>Contact DC Voltage Rating</b>	50V
<b>Contact Current Rating</b>	400 mA @ 32 V ac
<b>Insulation Resistance</b>	1 GΩ min. at 500VDC
<b>Dielectric Strength</b>	1,000VAC rms
<b>Contact Bounce</b>	10ms
<b>Total Travel</b>	1.5mm (.059)
<b>Electrical Life</b>	500,000 cycles

## Mechanical Specifications

<b>Mounting Type</b>	Panel Mount
<b>Panel Cut Out Size</b>	13.6 (Dia.)mm
<b>Panel Thickness</b>	1.5mm (.059)min. – 4mm(.157)max.
<b>Panel Cut Out Diameter</b>	13.6mm
<b>Mechanical Life</b>	1,000,000 cycles
<b>Actuating Force</b>	2N - 5N
<b>Torque</b>	0.5Nm max. applied to nut

## Protection Category

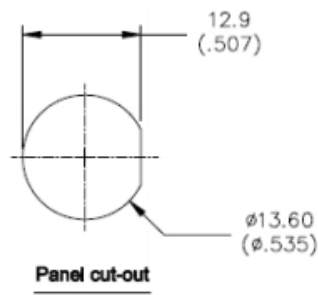
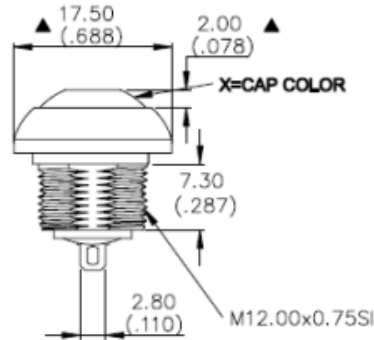
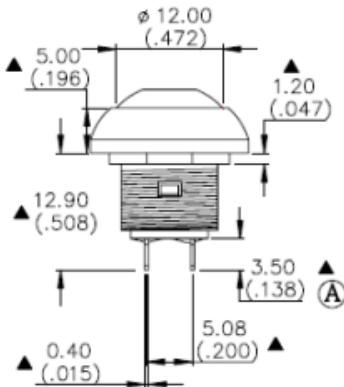
<b>IP Rating</b>	IP67
------------------	------




## Approvals

<b>Compliance/Certifications</b>	UL94-V0
----------------------------------	---------



**Dimensions - mm**



	POS.1	POS.2
Model No.		
PAS6	<b>OFF</b>	<b>MOM</b>
Term. Comm.	<b>OPEN</b>	<b>SHORT</b>
SCHEMATIC		

**SWITCH FUNCTION**