



ENGLISH

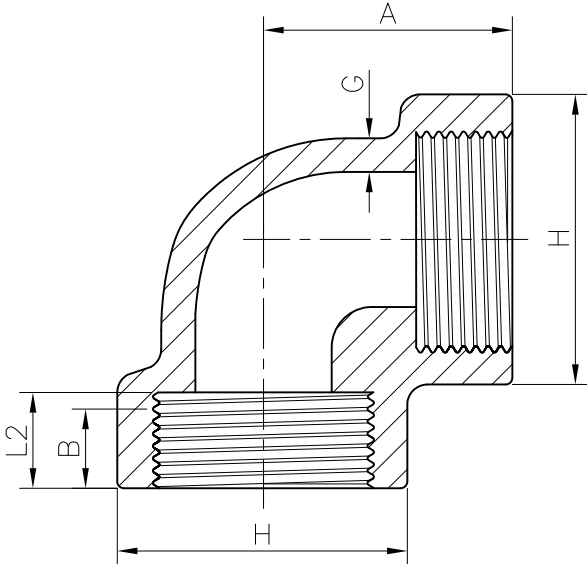
Product Datasheet

High Pressure Fitting



ASME B16.11

Threaded 90 Elbow



3000 LB

RS Code	Size		A		H		G (Min)		Length Of Thread (Min)			
	DN	NPS	mm	in	mm	in	mm	in	B		L2	
									mm	in	mm	in
826-6914	8	1/4"	25	0.98	25	0.98	3.3	0.13	8.1	0.32	10.2	0.4
826-6918	10	3/8"	28	1.1	33	1.3	3.51	0.14	9.1	0.36	10.4	0.41
826-6927	15	1/2"	33	1.3	38	1.5	4.09	0.16	10.9	0.43	13.6	0.54
826-6920	20	3/4"	38	1.5	46	1.81	4.32	0.17	12.7	0.5	13.9	0.55
826-6924	25	1"	44	1.73	56	2.2	4.98	0.2	14.7	0.58	17.3	0.68
826-6933	32	1-1/4"	51	2.01	62	2.44	5.28	0.21	17	0.67	18	0.71
826-6936	40	1-1/2"	60	2.36	75	2.95	5.56	0.22	17.8	0.7	18.4	0.72
826-6930	50	2"	64	2.52	84	3.31	7.14	0.28	19	0.75	19.2	0.76