

Features

- Serial RS232
- DB9 M
- DB9 F
- Grey
- 5 Pack

RS PRO 2mtr DB9 M- DB9 F Cable – Grey – 5 Pack

RS Stock No. 2668487



RS Professionally Approved Products bring to you, professional quality parts across all product categories. Our product range has been tested by engineers and provides a comparable quality to the leading brands without paying a premium price.

Product Description

Our RS PRO 2m D9 male to D9 female is wire pin to pin has a grey PVC cable flex.

The connector hoods are made from grey PVC and have a strain relief on the end of the hood to support the cable and to stop the cable from splitting around the hood. The female connector also has hex nuts to secure the cable when connected.

The cable flex has an outer diameter of 5mm and 28awg, the connectors have gold flash pins to help stop corrosion.

The cable can be used to extend serial cables.

General Specifications

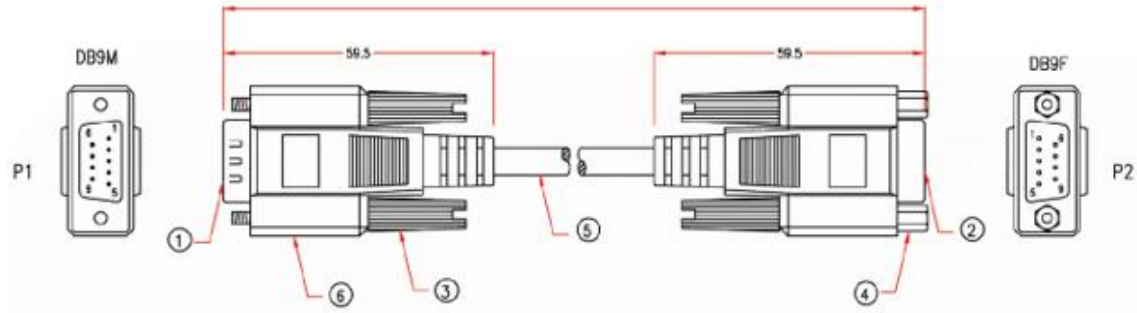
Connector A	DB9 Male
Connector B	DB9 Female
Outer Sheath Colour	Grey
Material	PVC

Approvals

Declarations	CE UKCA ROHS REACH
Standards Met	CE UKCA ROHS REACH

Similar Products

Stock No.	Brand	Length	Pack Size	Connector A	Connector B
182-8782	RS PRO	2mtr	1	DB9 Male	DB9 Female



6	MOLDED PVC GREY
5	9C 28AWG, ALUM-MYLAR FOIL SHIELDING WITH DRAIN WIRE, OD 5.0 JACKET GREY
4	HEX-NUT 5*6.6mm
3	MOLDED THUMBSCREW #4-40, GREY
2	DB9 FEMALE, GOLD FLASH ON CONTACTS, BLUE INSULATOR
1	DB9 MALE, GOLD FLASH ON CONTACTS, BLUE INSULATOR