

## FEATURES

- RoHS compliant
- REACH compliant
- Silicon free

# RS PRO BRASS OLIVE

RS Stock No.: 2305195



RS PROfessionally Approved Products bring to you professional quality parts across all product categories. Our product range has been tested by engineers and provides a comparable quality to the leading brands without paying a premium price.

## Product Description

The RS PRO brass olive is compatible with water, oil and compressed air. Operating temperature range is from - 60 °C + 300 °C.  
The working pressures and working temperatures depend on which type of tube is used, for this reason, the values must be determined in accordance with the tube's features.

## General Specifications

<b>Fitting Type</b>	Compression Olive
<b>Material</b>	Brass
<b>Applications</b>	Hot water systems, Central heating systems, Cold water systems

## Mechanical Specifications

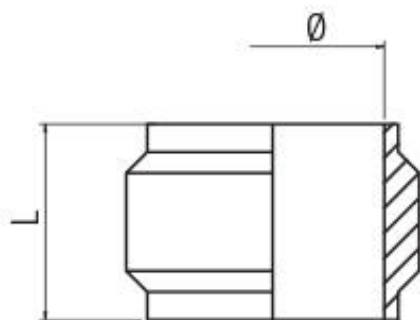
<b>Compatible Pipe Size</b>	12mm
<b>Length</b>	8.5mm
<b>Connection</b>	Compression

## Approvals

<b>Standards Met</b>	RoHS and REACH Compliant
----------------------	--------------------------

## Similar Products

Parameters	2305191	2305192
<b>Brand</b>	<b>RS PRO</b>	<b>RS PRO</b>
<b>Fitting Type</b>	Compression Olive	Compression Olive
<b>Material</b>	Brass	Brass
<b>Compatible Pipe Size</b>	4mm	6mm
<b>Length</b>	6mm	6.5mm
<b>Connection</b>	Compression	Compression
<b>Standards Met</b>	RoHS and REACH Compliant	RoHS and REACH Compliant
<b>Applications</b>	Hot water systems, Central heating systems, Cold water systems	Hot water systems, Central heating systems, Cold water systems



Tube	L	Pack.
12	8.5	50