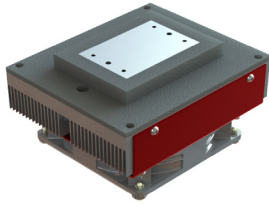


# Thermoelectric Assembly

## Direct-to-Air, 12V DC, 41Watts

**multicomp** PRO



**RoHS  
Compliant**

### Description

Direct-to-Air Thermoelectric cooling assemblies are compact devices that can be used to cool down objects through forced convection. Heat is pumped from one side of the thermoelectric assembly (cold side) using Peltier thermoelectric modules and is dissipated from the other (hot side) of the assembly to the environment through the use of bespoke heat sinks and highly efficient DC Axial fans. The thermoelectric modules, whose reliability and maintenance-free operation has been well proven, are carefully selected for each assembly in order to ensure the best cooling performance and to minimise power consumption.

### Applications

- Electronic cabinets
- Medical instrumentation
- Analytical diagnostics
- Food and beverage cooling
- Laser systems cooling

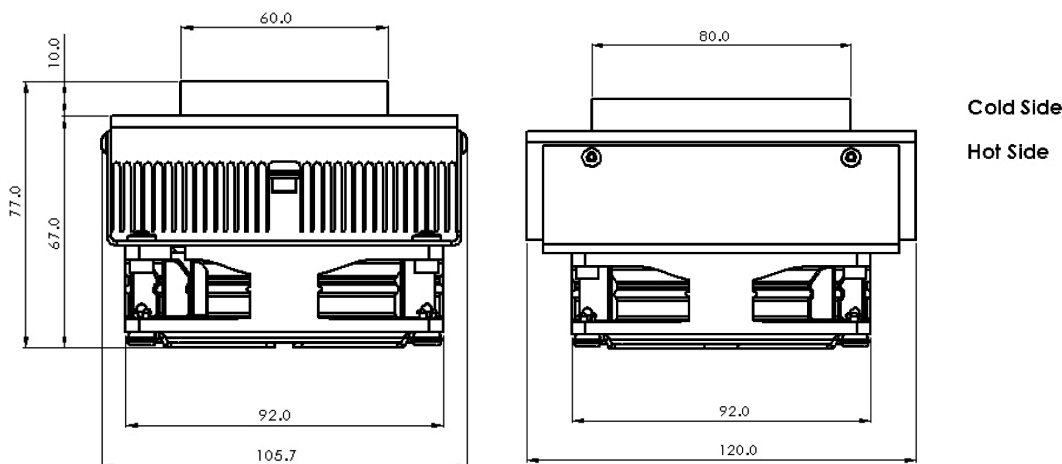
### Features

- Reliable
- Compact design
- Excellent temperature control
- DC operation (12V nominal input voltage)
- Thermoelectric modules with high Coefficient of Performance (COP)

### Specifications

Maximum Cooling Power	: 41W
Nominal Voltage	: 12V
Maximum Voltage	: 15V
Rated Current	: 4.6A
Power Input	: 54W
Operating Temperature	: -10°C to +50°C
Weight	: 0.8kg
Performance Tolerance	: ±10%
L10 of fans at 40°C (hrs)	: 40k (hot side)

### Diagram



Dimensions : Millimetres

Newark.com/multicomp-pro  
Farnell.com/multicomp-pro  
Element14.com/multicomp-pro

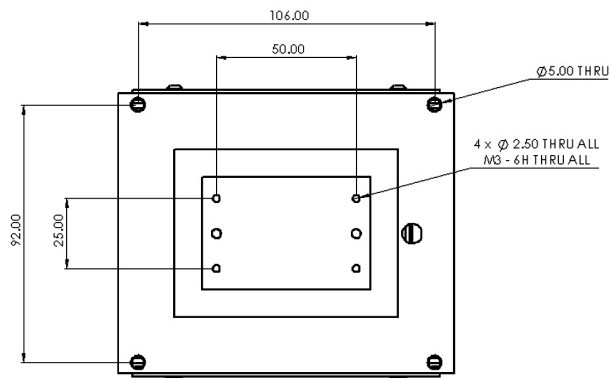
**multicomp** PRO

# Thermoelectric Assembly

## Direct-to-Air, 12V DC, 41Watts

**multicomp** PRO

### Location and dimensions of mounting holes



Dimensions : Millimetres

### Part Number Table

Description	Part Number
Thermoelectric Assembly, Direct to Air, 12V DC, 41W	MPDT-AR-044-12

**Important Notice :** This data sheet and its contents (the "Information") belong to the members of the AVNET group of companies (the "Group") or are licensed to it. No licence is granted for the use of it other than for information purposes in connection with the products to which it relates. No licence of any intellectual property rights is granted. The Information is subject to change without notice and replaces all data sheets previously supplied. The Information supplied is believed to be accurate but the Group assumes no responsibility for its accuracy or completeness, any error in or omission from it or for any use made of it. Users of this data sheet should check for themselves the Information and the suitability of the products for their purpose and not make any assumptions based on information included or omitted. Liability for loss or damage resulting from any reliance on the Information or use of it (including liability resulting from negligence or where the Group was aware of the possibility of such loss or damage arising) is excluded. This will not operate to limit or restrict the Group's liability for death or personal injury resulting from its negligence. Multicomp Pro is the registered trademark of Premier Farnell Limited 2019.

Newark.com/multicomp-pro  
 Farnell.com/multicomp-pro  
 Element14.com/multicomp-pro

**multicomp** PRO