

FEATURES

- Quick connection and disconnection
- Lighter and more compact
- Specific configurations to satisfy the advanced robotics
- Silicon free
- Operating temperature range is from -20 °C to 80 °C

RS PRO Female Bulkhead Connector

RS Stock No.: 2312671



RS PROfessionally Approved Products bring to you professional quality parts across all product categories. Our product range has been tested by engineers and provides a comparable quality to the leading brands without paying a premium price.

Product Description

The RS PRO female bulkhead connector works in -99 to 20 bar pressure range. It mainly used in robotics, automotive, textile, packaging, handling, compressed air circuit applications. It is lighter and more compact which offers to demanding customers high performances. It has operating temperature range from - 20 °C + 80 °C.

General Specifications

Pneumatic Fitting Type	Bulkhead Threaded-to-Tube Adaptor
Angle	Straight
Shape Type	Straight
Maximum Operating Pressure	20bar
Applications	Robotics, Automotive, Textile, Packaging, Handling, Compressed Air Circuit Applications

Mechanical Specifications

Connection Style	Threaded-to-Tube
Number of Inlet Ports	1
Inlet Port	Push In 8mm
Tube Connection A	Push In 8mm
Tube Connection A - Tube Size	8mm
Tube Connection B	1/4 in Female
Tube Connection B - Tube Size	1/4 in
Threaded Connection	1/4 in Female
Length	34mm

Wrench Size 1	18mm
Wrench Size 2	19mm

Connectors	
Connector A	Push In 8mm
Threaded Connection A	8mm
Connector B	1/4 in Female
Threaded Connection B	1/4in
Threaded Connection B – Gender	Female

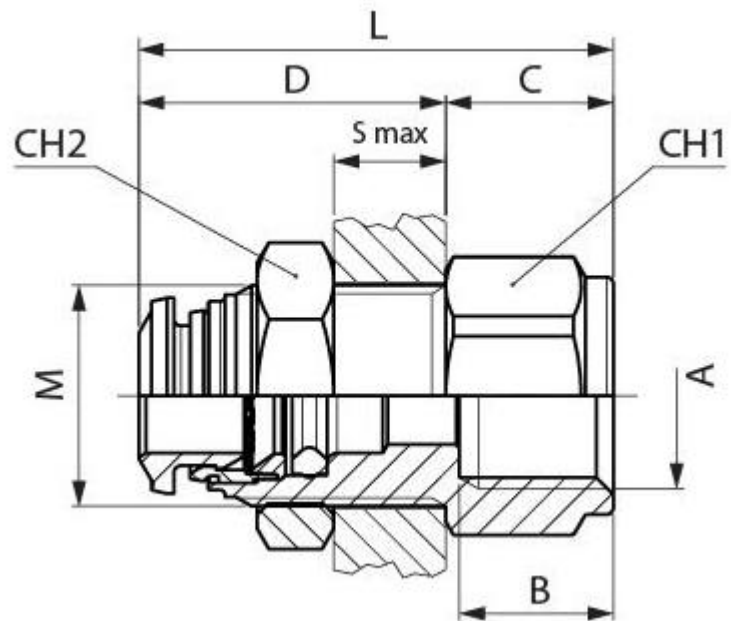
Operation Environment Specifications

Maximum Operating Temperature	+80°C
Minimum Operating Temperature	-20°C

Similar Products

Parameters	2312668	2312669
Brand	RS PRO	RS PRO
Pneumatic Fitting Type	Bulkhead Threaded-to-Tube Adaptor	Bulkhead Threaded-to-Tube Adaptor
Angle	Straight	Straight
Shape Type	Straight	Straight
Maximum Operating Pressure	20bar	20bar
Connection Style	Threaded-to-Tube	Threaded-to-Tube
Number of Inlet Ports	1	1
Inlet Port	Push In 4mm	Push In 6mm
Tube Connection A	Push In 4mm	Push In 6mm
Tube Connection A - Tube Size	4mm	6mm
Tube Connection B	1/8 in Female	1/4 in Female
Tube Connection B - Tube Size	1/8 in	1/4 in
Threaded Connection	1/8 in Female	1/4 in Female
Length	29mm	33mm
Wrench Size 1	15mm	16mm
Wrench Size 2	17mm	17mm
Connector A	Push In 4mm	Push In 6mm
Threaded Connection A	4mm	6mm
Connector B	1/8 in Female	1/4 in Female
Threaded Connection B	1/8in	1/4in

Threaded Connection B – Gender	Female	Female
--------------------------------	--------	--------



Tube	A	B	M	Smax	CH1	CH2	C	D	L	Pack.
8	1/4	11	M14X1	8	18	19	12	22	34	10