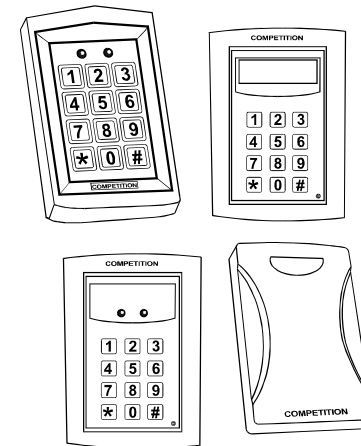
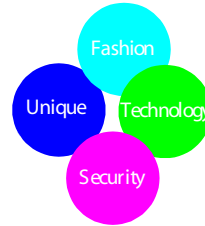




*Anti-vandal *metal surface *pickproof *waterproof

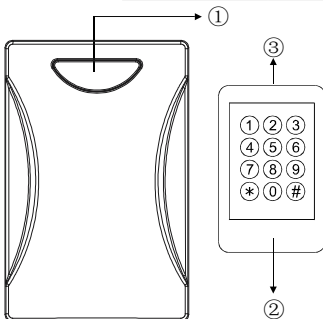


Access control instruction manual

We will remain the right of modification without prior information



front panel description



DH16A-11DT

NO.	Description
①	Infrared area
②	Keyboard
③	Antenna

Specifications/features

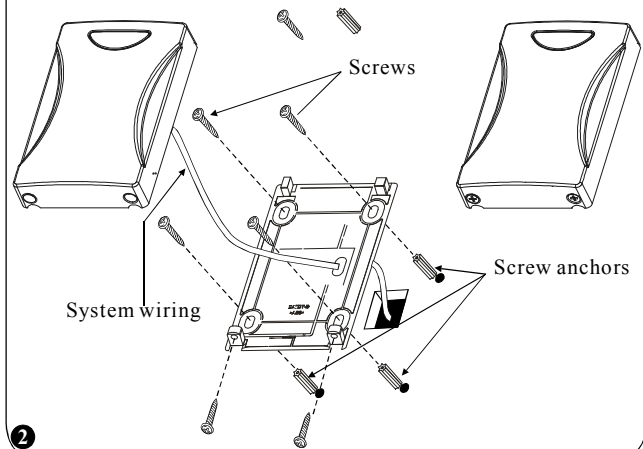
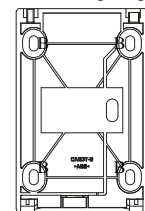
1. With internal EM reader
2. Frequency:125KHZ
3. Effective distance:5-10cm.
4. Up to 2000 card holders.
5. Infrared keypad operation.
6. Built-in anti-tamper function.
7. Watchdog timer, powerful reboot and self-recovery watchdog can connect with the external unlock button .
8. Power consumption: DC 12-15V, Current:150mA
9. Unlock output delay time:0~99s.
10. IP Rating:65
11. Single relay outputs.
12. relay current: 2A/12VDC
13. Dimension:115*75*21mm

①

installation

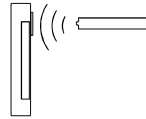
Before installing ,position the location where the controller unit is to be mounted , operation according to the following steps:

1. Open the controller by loosening and removing the back case screw at the bottom using the spline tool .
2. Drill the respective holes in the rear cover for flush mount ,drill the four holes marked "B" .
3. Use the provided drilling template accurately locate and drill the required holes.
4. Use the screws provided to mount the back case on the wall ,be sure to draw the wiring through the large centre hole in back case, and Keep it level.
5. Connected accurately the system wiring as per the label enclosed on the rear.
6. Replace the unit back and screwed it on using the spline tool.



②

Operation



Note:

- 1.all operations can be fulfilled via this wireless keyboard.
- 2.take the antenna of keyboard vertically aimed at the infrared area in order to good data transmitting.

Enter the system

Press the * and # button on the access control keyboard, follow the 4-digit primary password , and then press the # button, the indicator will flash red , a long tone “Di” will be heard, now enter setting mode.(note:The primary password is 4567.)

Note : the system is automatically quitted in 20 seconds of inactivity.

Add user card

Enter the setting mode: Press the button “1” in the mean time a tone “Di” will be heard, take a magnetic card near the sensor of Access Control or input the last 6-digital card number . two tone “Di” indicates the user card success of user card adding . add other magnetic cards one by one with a continuous tone “Di” . With 4 tones “Di” indicates this card has already been added . After all user cards setting are completed, press the button * to return to the setting mode, follow the button * to return to the standby mode.

Note:Record the series numbers of these user cards.

3

Delete user card

Enter the setting mode: Press the button “2” in the mean time a tone “Di” will be heard, take a magnetic card near the sensor of Access Control or input the last 6-digital card number. Two tone “Di” indicates the success of user card deleting .Delete other user cards one by one with a continuous voice “Di” . The 4 tones “Di” indicates this card has already been deleted . After all user cards deleting are completed, press the button * to return to the setting mode, follow the button * to return to the standby mode.

Delete all cards

Enter the setting mode. Press the button “9” in the mean time a tone “Di” will be heard, follow the button “9” again. then hearing a continuous tone “Di” , the tone disappearance indicates the all user cards are deleted. press the button * to return to the setting mode, follow the button * to return to the standby mode.

Change the administration password

Enter the setting mode. Press the button “8” in the mean time a tone “Di” will be heard, input the 4-digit new password , then press the # button. When hearing a tone “Di” , repeat the new password and the button # to confirm in the mean time two tones “DiDi” will be heard,. If the continuously voice are heard, repeat again this operation as above till the two tones “DiDi” is heard.

4

set the delay time for door unlocking

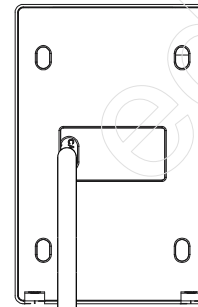
Enter the setting mode. Press the button “4” in the mean time a tone “Di” will be heard ,input the unlocking delay time (01 to 99 are available),press the button * to return to the setting mode, follow the button * to return to the standby mode.

Set the building and entrance

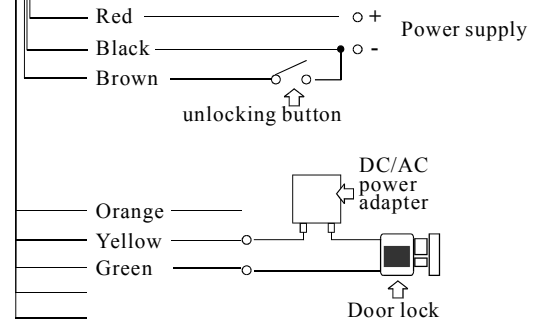
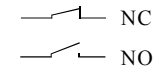
Enter the setting mode. Press the button “3” in the mean time a tone “Di” will be heard ,input the building number (XXXX) and entrance number (XX),press the button # to confirm. press the button * to return to the setting mode, follow the button * to return to the standby mode.

5

Wring diagram



Red -power + DC12-15V
Black -power GND
Brown -unlocking button
Orange- NC
Yellow- COM
Green- NO
Gray- 485+
White- 485-



6