

## Datasheet

# RS PRO IP68 USB-A 2.0 – Metal Female Mountable Cable End



The RS PRO series of waterproof metal USB-A connectors are a range of ruggedised IP67/IP68 connectors designed to be used outdoors or in harsher industrial environments. Designed to fit panel cut outs of 25.5mm the metal USB-A series also comes with rear potting on the panel mount connectors. This ensures your panel is still sealed to an IP67/IP68 rating even when the connector is unmated, and the sealing cap is not connected. The threaded mating allows for a secure connection.

## Features & Benefits:

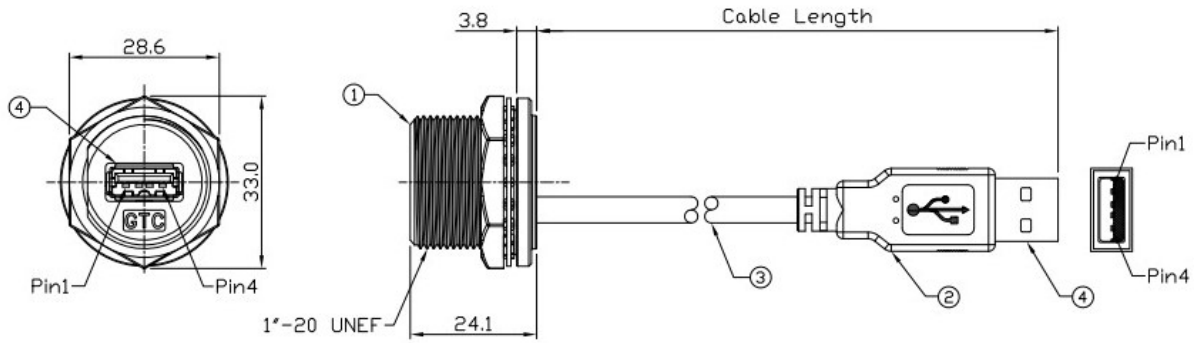
- Thermoplastic or Nickel Plated Zinc Alloy Housing
- IP67/IP68
- Rear Potted
- Threaded Mating
- USB-A 2.0/3.0

## Quality Standards



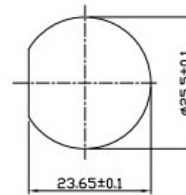
# Dimensional line drawings

122-3024



| Twist | Shell | Drain | Shell |
|-------|-------|-------|-------|
|       | 4     | Black | 4     |
|       | 3     | Green | 3     |
|       | 2     | White | 2     |
|       | 1     | Red   | 1     |

Wiring Diagram



Recommend Panel Cut-Out