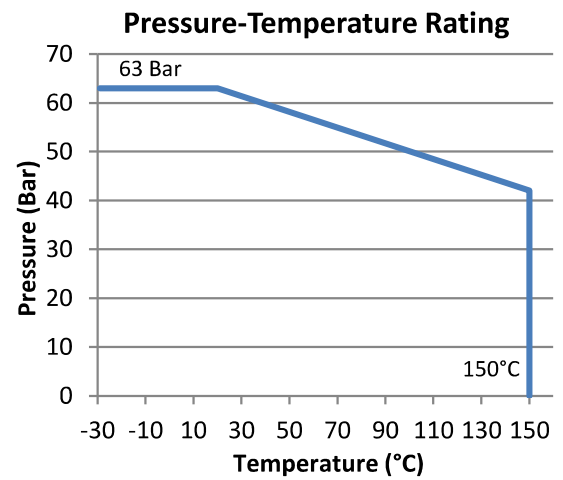
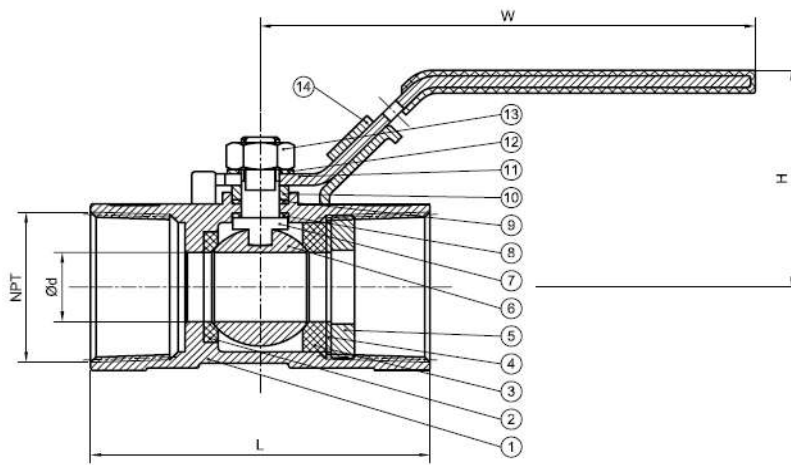


# 1 Piece Ball Valves

## Features

- 1 PC Body Design
- Reduced Bore, Quarter Turn Operation
- Sizes: 1/4" – 4" (DN8 – DN100)
- Working Pressure: 1000 WOG
- Threaded End: BSPP, NPT
- Applicable Medium: General Oil, Gas & Water Applications
- Blow-out Proof Stem Design
- Temperature: -20 Deg C to 120 Deg C



## Material List

No.	Part Name	Material	No.	Part Name	Material
1	Body	CF8M	8	Thrust Washer	PTFE
2	Seat Ring	PTFE	9	Stem Packing	PTFE
3	Seat Ring	PTFE	10	Gland	AISI 304
4	Washer	AISI 316	11	Handle	AISI 304
5	End Plug	CF8M	12	Wrench Washer	AISI 304
6	Ball	CF8M	13	Handle Nut	AISI 304
7	Stem	AISI 316	14	Locking Device	AISI 304

## Ordering Information

VL - S - B1 - G - 1000 - 08  
 I II III IV V VI

### I Type of Item

VL Low Pressure Valves

### II Material Grade

S SS316, CF8M CI Cast Iron  
 FS Forged Steel CS Cast Steel  
 B Brass

### III Item

GA Gate Valve B1 1 PC Ball Valve  
 GL Globe Valve B2 2 PC Ball Valve  
 YS Y-Strainer B3 3 PC Ball Valve  
 SC Swing Check Valve BL 3 Way Ball Valve L Port  
 VC Vertical Check Valve BT 3 Way Ball Valve T Port  
 WC Wafer Check Valve BMF Male x Female Mini Ball Valve  
 DD Dual Disk BU Butterfly Valve

### IV Connection Type

SW S/W G BSPP  
 BW B/W N NPT  
 R BSPT F Flange End  
 W Wafer L Lug

### V Pressure

200 200 PSI 2000 2000 PSI  
 300 300 PSI 150 ANSI 150# Flange Standard  
 600 600 PSI 10K JIS 10K Flange Standard  
 800 800 PSI PN16 PN 16 Flange Standard  
 1000 1000 PSI

## For Inch OD & Inch NB Sizes

### VI Size

Size	1/8"	1/4"	5/16"	3/8"	1/2"	5/8"	3/4"	1"
Code	02	04	05	06	08	10	12	16
Size	1 1/4"	1 1/2"	2"	2 1/2"	3"	4"	5"	6"
Code	20	24	32	40	48	64	80	96

### VII Coating

(None) No Additional Coating  
 NI Nickel Plating

## Dimension List

NPS	Connection	Impa Code	Part No	d	L	H	W	Weight (Kg)
1/4"	BSPP	75 24 11	VL-S-B1-G-1000-04	5	40	24	72	0.07
3/8"	BSPP	75 24 12	VL-S-B1-G-1000-06	7	45	27	80	0.10
1/2"	BSPP	75 24 13	VL-S-B1-G-1000-08	9	57	34.5	97	0.20
3/4"	BSPP	75 24 14	VL-S-B1-G-1000-12	12	60	40	92	0.26
1"	BSPP	75 24 15	VL-S-B1-G-1000-16	15	70.5	44	125	0.40
1 1/4"	BSPP	75 24 16	VL-S-B1-G-1000-20	20	78	50	125	0.70
1 1/2"	BSPP	75 24 17	VL-S-B1-G-1000-24	25	83.5	54	155	0.80
2"	BSPP	75 24 18	VL-S-B1-G-1000-32	32	99.5	60	155	1.28
2 1/2"	BSPP	-	VL-S-B1-G-1000-40	38	122	87	183	2.34
3"	BSPP	-	VL-S-B1-G-1000-48	50	148.5	97	183	3.50
4"	BSPP	-	VL-S-B1-G-1000-64	65	193	117	220	9.05
1/4"	NPT	-	VL-S-B1-N-1000-04	5	40	24	72	0.07
3/8"	NPT	-	VL-S-B1-N-1000-06	7	45	27	80	0.10
1/2"	NPT	-	VL-S-B1-N-1000-08	9	57	34.5	97	0.20
3/4"	NPT	-	VL-S-B1-N-1000-12	12	60	40	92	0.26
1"	NPT	-	VL-S-B1-N-1000-16	15	70.5	44	125	0.40
1 1/4"	NPT	-	VL-S-B1-N-1000-20	20	78	50	125	0.70
1 1/2"	NPT	-	VL-S-B1-N-1000-24	25	83.5	54	155	0.80
2"	NPT	-	VL-S-B1-N-1000-32	32	99.5	60	155	1.28
2 1/2"	NPT	-	VL-S-B1-N-1000-40	38	122	87	183	2.34
3"	NPT	-	VL-S-B1-N-1000-48	50	148.5	97	183	3.50
4"	NPT	-	VL-S-B1-N-1000-64	65	193	117	220	9.05

## Part Number Reference

Impa Code	Part No	Description
75 24 11	VL-S-B1-G-1000-04	1/4"BSPP SS316 1 PC BALL VALVE (1000 WOG)
75 24 12	VL-S-B1-G-1000-06	3/8"BSPP SS316 1 PC BALL VALVE (1000 WOG)
75 24 13	VL-S-B1-G-1000-08	1/2"BSPP SS316 1 PC BALL VALVE (1000 WOG)
75 24 14	VL-S-B1-G-1000-12	3/4"BSPP SS316 1 PC BALL VALVE (1000 WOG)
75 24 15	VL-S-B1-G-1000-16	1"BSPP SS316 1 PC BALL VALVE (1000 WOG)
75 24 16	VL-S-B1-G-1000-20	1 1/4"BSPP SS316 1 PC BALL VALVE (1000 WOG)
75 24 17	VL-S-B1-G-1000-24	1 1/2"BSPP SS316 1 PC BALL VALVE (1000 WOG)
75 24 18	VL-S-B1-G-1000-32	2"BSPP SS316 1 PC BALL VALVE (1000 WOG)
-	VL-S-B1-G-1000-40	2 1/2"BSPP SS316 1 PC BALL VALVE (1000 WOG)
-	VL-S-B1-G-1000-48	3"BSPP SS316 1 PC BALL VALVE (1000 WOG)
-	VL-S-B1-G-1000-64	4"BSPP SS316 1 PC BALL VALVE (1000 WOG)
-	VL-S-B1-N-1000-04	1/4"NPT SS316 1 PC BALL VALVE (1000 WOG)
-	VL-S-B1-N-1000-06	3/8"NPT SS316 1 PC BALL VALVE (1000 WOG)
-	VL-S-B1-N-1000-08	1/2"NPT SS316 1 PC BALL VALVE (1000 WOG)
-	VL-S-B1-N-1000-12	3/4"NPT SS316 1 PC BALL VALVE (1000 WOG)
-	VL-S-B1-N-1000-16	1"NPT SS316 1 PC BALL VALVE (1000 WOG)
-	VL-S-B1-N-1000-20	1 1/4"NPT SS316 1 PC BALL VALVE (1000 WOG)
-	VL-S-B1-N-1000-24	1 1/2"NPT SS316 1 PC BALL VALVE (1000 WOG)
-	VL-S-B1-N-1000-32	2"NPT SS316 1 PC BALL VALVE (1000 WOG)
-	VL-S-B1-N-1000-40	2 1/2"NPT SS316 1 PC BALL VALVE (1000 WOG)
-	VL-S-B1-N-1000-48	3"NPT SS316 1 PC BALL VALVE (1000 WOG)
-	VL-S-B1-N-1000-64	4"NPT SS316 1 PC BALL VALVE (1000 WOG)