

## FEATURES

- Stainless Steel Hex Spacers
- Hexagonal body
- M2 x M2 / M3 x M3 / M4 x M4
- 10pcs/Poly Bag
- RoHS ✓
- REACH ✓

# RS PRO Stainless Steel Hex Standoff Female/Female

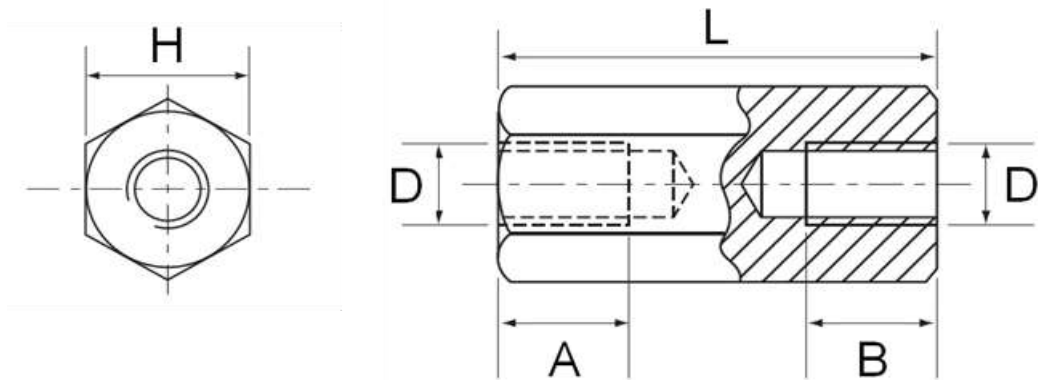


RS Professionally Approved Products bring to you professional quality parts across all product categories. Our product range has been tested by engineers and provides a comparable quality to the leading brands without paying a premium price.

## Product Description

- **Stainless Steel Hex Spacers.** The spacer features M2 x M2 / M3 x M3 / M4 x M4 female metric threading.
- 10pcs/Poly Bag
- RoHS ✓ REACH ✓

## General Specifications



### Specifications

±0.1mm

RS No.	Material	L	H	D	Hole(A/B)	
2240442	Stainless Steel	5	4	M2	5	
2240439		10			4.5	4.5
2240440		15			5	5
2240441		30			5	5

RS No.	Material	L	H	D	Hole(A/B)	
2240450	Stainless Steel	5	5.5	M3	5	
2240443		10			10	
2240444		15			6	6
2240445		20			6	6
2240447		25			6	6
2240448		40			6	6
2240449		45			6	6

2240456	Stainless Steel	10	7	M4	10	
2240457		15			7	7
2240458		20			8	8
2240459		50			8	8