

Features

- Brushed Gear motor
- 47:1 reduction ratio
- 35mm diameter
- Anticlockwise rotation
- Heavy duty construction

RS PRO Brushed DC Geared Motor

RS Stock No.: 420-669



RS PRO Professionally Approved Products bring to you professional quality parts across all product categories. Our product range has been tested by engineers and provides a comparable quality to the leading brands without paying a premium price.

Product Description

The RS PRO Brushed Gear Motor – A high quality and robust 3 pole brushed gear motor with a power rating of 21.2 W designed for model and heavy duty industrial applications. The brushed gear motor features a voltage rating of 4.5 to 15 V dc for compatibility with a range of power sources.

General Specifications

Output Speed	309 rpm
Maximum Output Torque	3000 g.cm
DC Motor Type	Brushed
Shaft Diameter	6mm
Gearhead Type	Spur
Length	82.5mm
Width	39.3mm
Weight	285g

Electrical Specifications

Power Rating	19.8 W
Current Rating	2.81 A
Supply Voltage	4.5 - 15 V dc

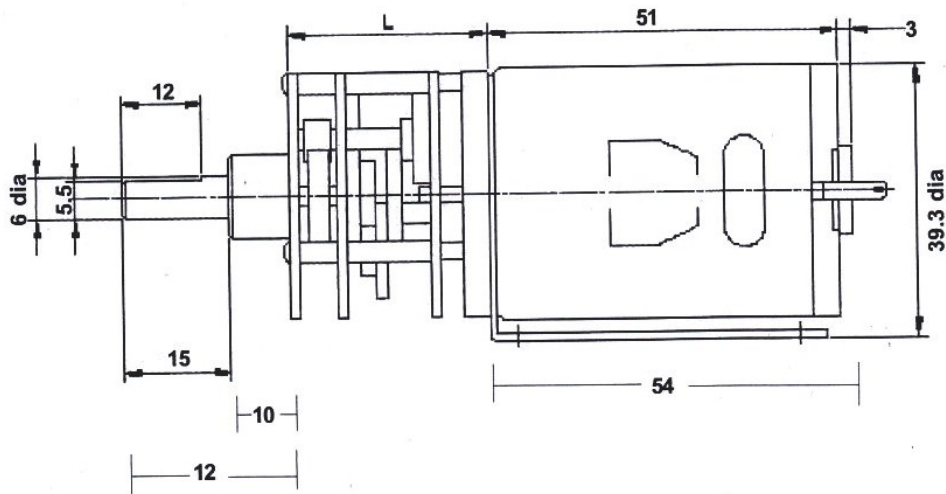
Further Specifications

Gearbox Housing material	Metal
Backlash at no-load	< 2°
Bearing at output	Sleeve bearings
Radial load (10mm from flange)	< 1 kgf
Shaft axial load	< 0.7 kgf
Shaft press fit force max	< 5 kgf
Radial play of shaft	< 0.05mm
Thrust play of shaft	< 0.35mm

Reduction Ratio	Rated tolerance Torque	Max momentary Tolerance Torque	Efficiency
1/47	3.0 kgf-cm Max.	9.0 kgf-cm	66%

Reduction Table RPM	4.5v	6v	9v	12v	15v
SUPPLY VOLTAGE					
420-669	116	155	232	309	386

Note: Motor speeds may vary by (+) or (-) 12.5%



Operating relative humidity 20% ~ 85%
 Operating temperature range -10°C ~ +60°C

Ratio	L
47:1	31.5mm