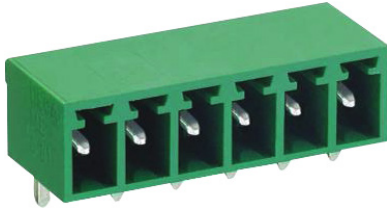


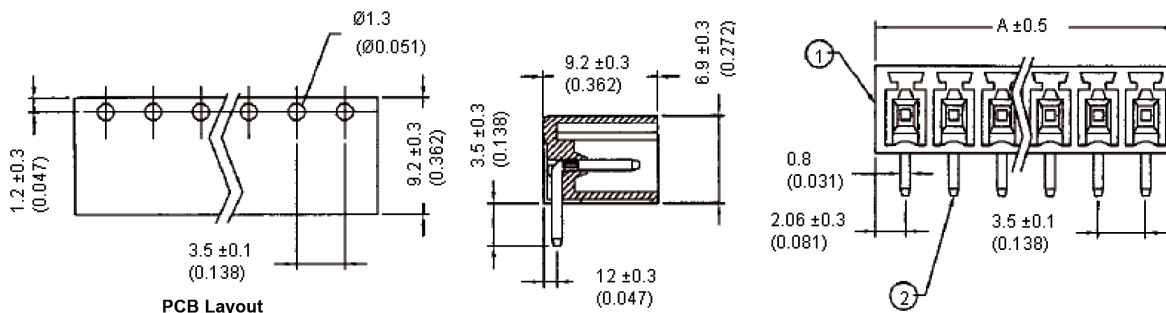
**RoHS
Compliant**



Specifications

Rating Current	: 12 Amperes, 150V AC
Min. Insulation Withstand Voltage	: 2,000V AC
Insulation Resistance	: >2,000MΩ 500V DC
Operating Temperature	: -40°C to +105°C

Diagram



Dimensions : Millimetres (Inches)

Pitch : 3.5mm (0.138 Inch)		
Pole	A (mm)	A (Inch)
2	7.6	0.299
3	11.1	0.437
4	14.6	0.575
5	18.1	0.713
6	21.6	0.85
8	28.6	1.126
10	35.6	1.402
12	42.6	1.677

No.	Material	Plating/Finish
1.	Insulating Body	Polyamide 66
2.	Solder Pin	Brass
		Tin Plated

Part Number Table

Description	Part Number
Header 3.5mm Right Angle 12A 02 Way	MC000088
Header 3.5mm Right Angle 12A 03 Way	MC000089
Header 3.5mm Right Angle 12A 04 Way	MC000090
Header 3.5mm Right Angle 12A 05 Way	MC000091
Header 3.5mm Right Angle 12A 06 Way	MC000092
Header 3.5mm Right Angle 12A 08 Way	MC000093
Header 3.5mm Right Angle 12A 10 Way	MC000094
Header 3.5mm Right Angle 12A 12 Way	MC000095

Important Notice : This data sheet and its contents (the "Information") belong to the members of the AVNET group of companies (the "Group") or are licensed to it. No licence is granted for the use of it other than for information purposes in connection with the products to which it relates. No licence of any intellectual property rights is granted. The Information is subject to change without notice and replaces all data sheets previously supplied. The Information supplied is believed to be accurate but the Group assumes no responsibility for its accuracy or completeness, any error in or omission from it or for any use made of it. Users of this data sheet should check for themselves the Information and the suitability of the products for their purpose and not make any assumptions based on information included or omitted. Liability for loss or damage resulting from any reliance on the Information or use of it (including liability resulting from negligence or where the Group was aware of the possibility of such loss or damage arising) is excluded. This will not operate to limit or restrict the Group's liability for death or personal injury resulting from its negligence. Multicomp Pro is the registered trademark of Premier Farnell Limited 2019.