

Datasheet

RS Pro Steel Girder Threaded Rod Clip & Hanger, 5 to 7 mm, M10

RS Stock No: **277-373**



Product Details

RS Pro flange with M10 thread size, has vertical orientation. This 5 to 7 mm clip-on flange made of durable steel, can withstand a maximum load of up to 68 kg.

Features and Benefits

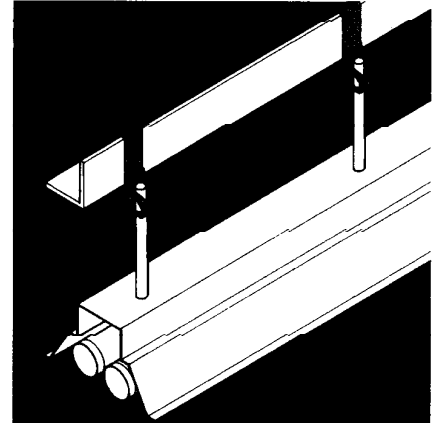
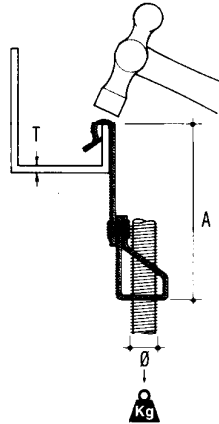
- Vertical flange orientation
- M10 thread size
- Steel construction



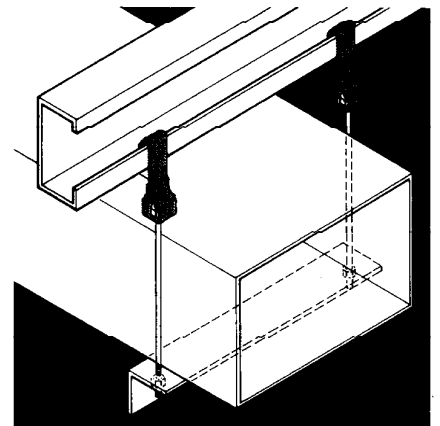
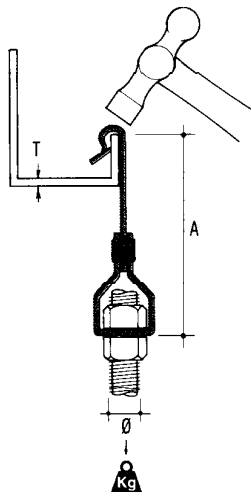
Specifications:

Flange Orientation	Vertical
Flange Thickness Maximum	7 mm
Flange Thickness Minimum	5 mm
Flange Thickness	5 to 7 mm
Material	Steel
Maximum Load	68 kg
Thread Size	M10

Catalogue No.	T (mm)	Ø (mm)	A (mm)	Kg	F
AV155-AM127	1.5-5	12.7	70	68	F8
AV155-AM6T	1.5-5	M6	70	68	F8
AV155-AM8T	1.5-5	M8	70	68	F8
AV155-AM10T	1.5-5	M10	70	68	F8
AV57-AM127	5-7	12.7	70	68	F8
AV57-AM6T	5-7	M6	70	68	F8
AV57-AM8T	5-7	M8	70	68	F8
AM57-AM10T	5-7	M10	70	68	F8



Catalogue No.	T (mm)	Ø (mm)	A (mm)	Kg	F
AV155-YM127	1.5-5	12.7	72	72	F8
AV57-YM127	5-7	12.7	72	72	F8



Catalogue No.	T (mm)	Ø (mm)	Kg	F
AV155-BM4	1.5-5	4	72	F8
AV155-BM6	1.5-5	6	72	F8
AV155-BM8	1.5-5	8	72	F8
AV155-BM10	1.5-5	10	72	F8
AV57-BM4	5-7	4	72	F8
AV57-BM6	5-7	6	72	F8
AV57-BM8	5-7	8	72	F8
AV57-BM10	5-7	10	72	F8

