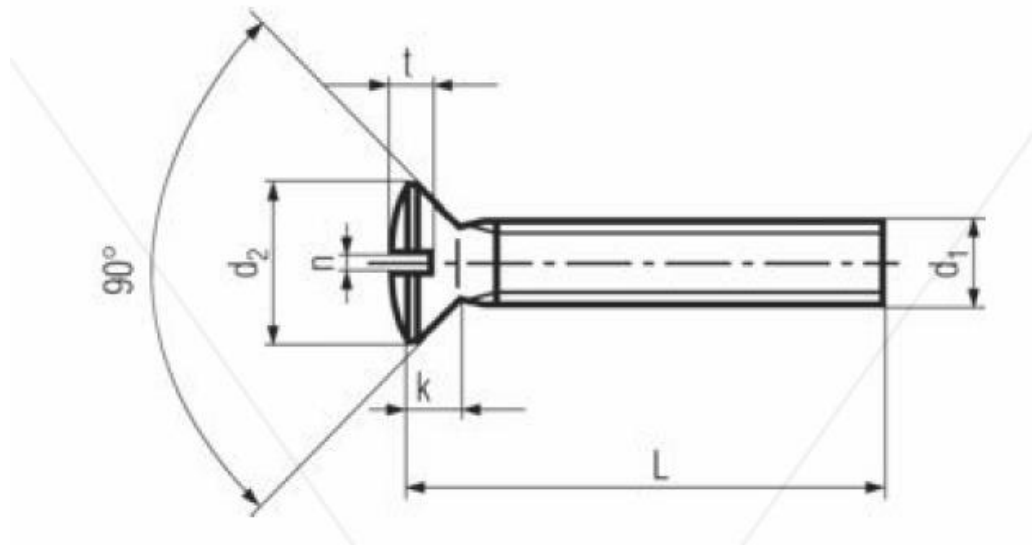


Datasheet

Countersunk Head Machine Screw

RS Stock number: 528-996

Dimensions(mm):



d1	d2	k max.	n	t min.	Proof Load N
M2	3.8	1.2	0.5	0.8	600
M2.5	4.7	1.5	0.6	1	990
M3	5.6	1.65	0.8	1.2	1560
M3.5	6.5	1.93	0.8	1.4	2100
M4	7.5	2.2	1	1.6	2720
M5	9.2	2.5	1.2	2	4400
M6	11	3	1.6	2.4	6230
M8	14.5	4	2	3.2	11400
M10	18	5	2.5	4	18000