

FEATURES

- Tin plated copper tube
- Durable nylon insulation
- High-grade Vinyl or Nylon insulating material (Nylon insulation for mini yellow terminals only)
- Durable and reliable termination
- Extremely Cost effective
- Easy to crimp using a ratchet tool

RS PRO Butt Splice Connector, Yellow, Insulated, Tin 12 → 10 AWG

RS Stock No.: 534-519



RS Professionally Approved Products bring to you professional quality parts across all product categories. Our product range has been tested by engineers and provides a comparable quality to the leading brands without paying a premium price.

Product Description

RS Pro butt wire splice connector in yellow colour, is insulated with tin plated and has wire size of 12 to 10 AWG. It has a range of insulated crimp butt splice terminal made from copper with flared vinyl or nylon (mini-yellow) insulation. This insulated crimp butt splice wire connector is colour coded for use with different wire sizes including mini yellow 0.2 - 0.5 mm².

General Specifications

Splice Type	Butt
Shrouded/Unshrouded	Shrouded
Contact Material	Copper
Contact Plating	Tin
Colour	Yellow
Insulation	Insulated
Insulation Material	PVC
Application	Industrial control systems, Automotive and transportation sector, Machine building, Electrical and electronic equipment, Commercial and domestic appliances

Electrical Specifications

Voltage Rating	600 V
Current Rating	48A

Mechanical Specifications

Minimum Wire Size (mm²)	4mm ²
Maximum Wire Size (mm²)	6mm ²
Overall Length	24.5mm
Diameter	4.5mm
Minimum Wire Size (AWG)	12AWG
Maximum Wire Size (AWG)	10AWG
Wire Size	12 to 10 AWG
Thickness	2.3mm

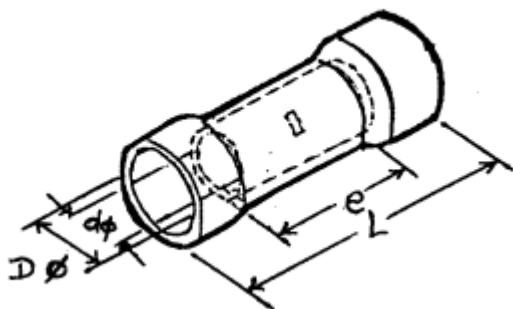
Operation Environment Specifications

Maximum Operating Temperature	+105°C
Minimum Operating Temperature	-20°C
Operating Temperature Range	-20 to +105°C

Approvals

Compliance/Certifications	2011/65/EU and 2015/863
Standards Met	ANSI/ESD S20.20:2014 and BS EN 61340-5-1:2007





Wire Range		Color	Dimension (mm)				Stud Size	
AWG	mm ²		dφ	L	Dφ	e	AWG	mm
12-10	2.5-6.0	YELLOW	3.5	26.8	5.8	15.7		