

Datasheet

Quick Connect Fittings

High Pressure Screw Couplings

Product Overview

Designed for hydraulic oil applications according to European Directive 97.23.EC

Materials

- Carbon Steel to EN-10277-3, AISI 316 and AISI 303
- Seals: NBR, Viton or EPDM
- Back-up-ring: PTFE
- Springs: Carbon Steel DIN 17233/84(B)

Working Temperature

- NBR: -30°C to +100°C
- Viton: -10°C to +200°C
- EPDM: -40°C to +150°C

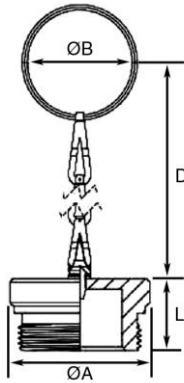


Technical Specification

RS Part	Description	Size	Maximum Pressure
768-5844	Male Plug	G 1/4	950 bar
768-5847	Female Socket	G 1/4	950 bar
768-5841	Male Plug	G 3/8	750 bar
768-5850	Female Socket	G 3/8	750 bar
768-5853	Male Plug	G 1/2	750 bar
768-5857	Female Socket	G 1/2	750 bar

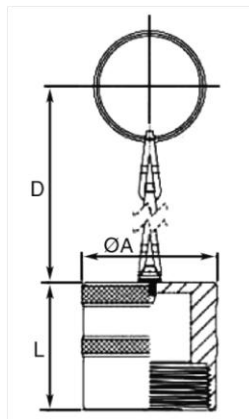
Plug

DN	ØA (mm)	L (mm)	ØB (mm)
06	32	18.50	25
10	35	67	30
13	40	73.50	30
20	50	89.50	42
25	60	105.50	50
32	75	130.50	50
40	85	143.50	50
50	99	203.50	50



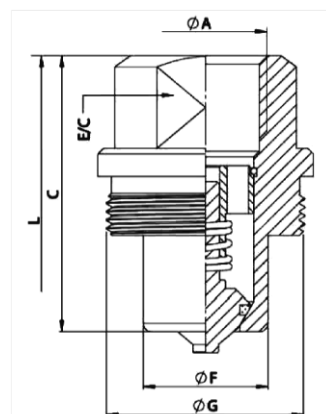
Cap

DN	ØA (mm)	L (mm)	ØB (mm)
06	32	30	25
10	35	37	30
13	40	38	30
20	50	46	42
25	60	55	50
32	75	77	50
40	85	74	50
50	99	121	50



Male

DN	E/C (mm)	C (mm)	ØF (mm)	ØG (mm)	L (mm)
06	19	36	14.90	M27x1.5	72
10	22	40.50	18.95	M30x1.5	81
13	27	46	22	M35x1.5	92
20	35	56	28.95	M45x1.5	112
25	41	63	36	M54x1.5	126
32	58	75	49.80	M70x2	150
40	61	83.50	55	M78x2	167
50	71	118	69.40	M92x2	237



Female

DN	E/C (mm)	B (mm)	CH1 (mm)	L (mm)
06	19	59	32	72
102	22	67	36	81
13	27	73.50	41	92
20	35	89.50	50	112
25	41	105.50	65	126
32	58	130.50	80	150
40	61	143.50	85	167
50	71	203.50	105	237

