



# 796-2047

## Ceiling PIR HS presence detector

### Overview



The 796-2047 (passive infrared) presence detector provides automatic control of lighting loads with optional manual control. This is a high sensitivity PIR detector suitable for high bay applications, such as warehouses and factories, and where high detection sensitivity is needed. The output channel comprises a mains voltage relay capable of simple on/off switching.

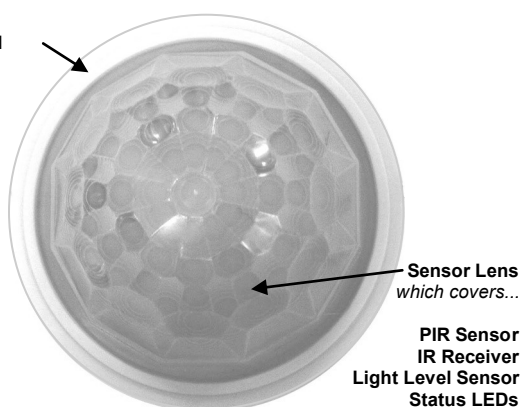
Functioning as a presence detector, the unit can turn lights on when a room is occupied and off when the room is empty. Optional settings allow lights to be turned off in response to ambient daylight.

All functionality is fully programmable using an IR handset.

### Features

#### Front features

Mounting Bezel

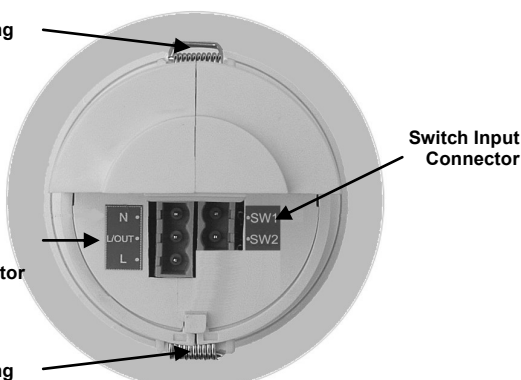


#### Back features

Retaining Spring

Power Input & Switched Output Connector

Retaining Spring



#### PIR Sensor

Detects movement within the unit's detection range, allowing load control in response to changes in occupancy.

#### IR Receiver



Receives control and programming commands from an IR (infrared) handset.

#### Light Level Sensor

Measures the overall light level in the detection area

#### Status LEDs

The LED flashes Red to indicate the following:

Walk Test LED active	 when movement is detected
Valid setting received	

#### Power Input & Switched Output Connector

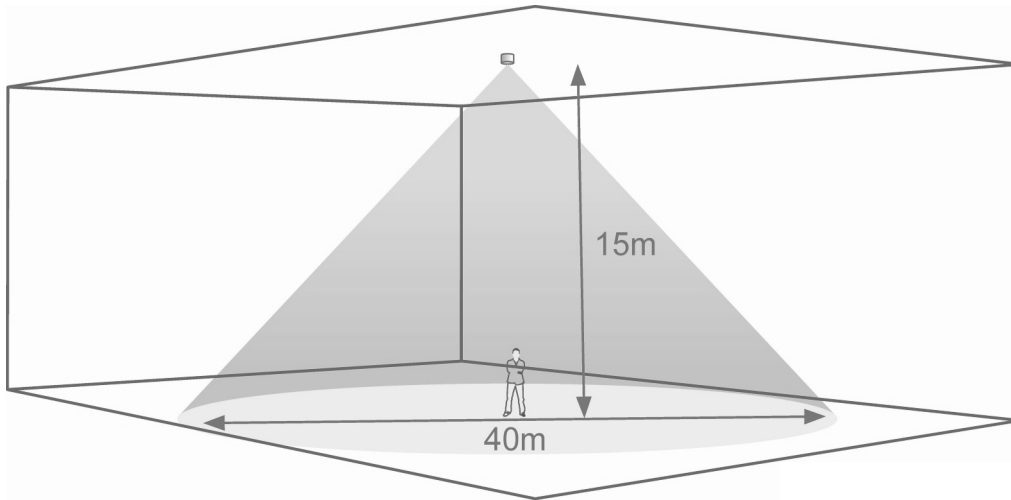
Used to connect mains power to the unit and to connect a switched load.

#### Switch Input Connector

Two input terminals can be used to manually override the lights on or off.

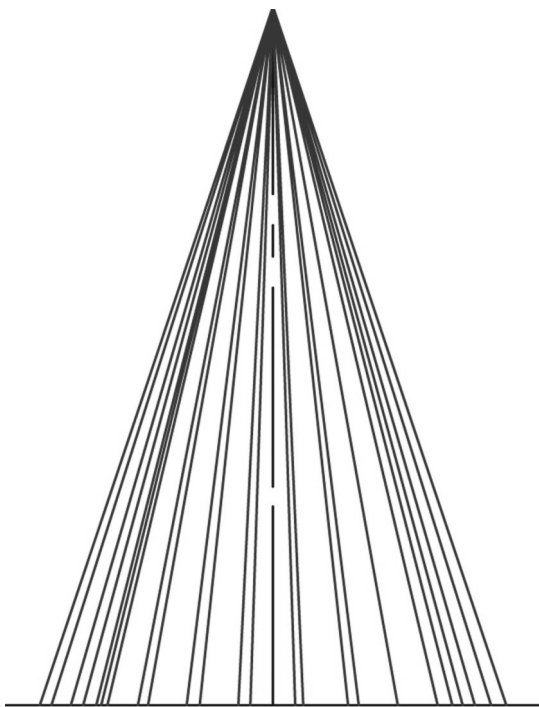
# Detection diagrams

## Range

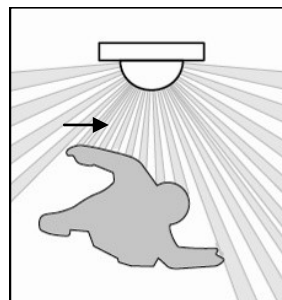


Maximum mounting height 20m

## Detection pattern

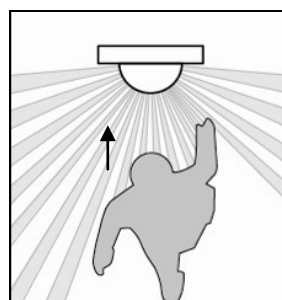


## Walk across



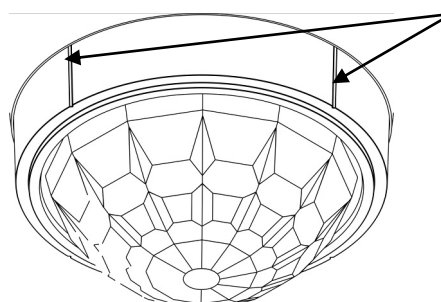
Height	Range Diameter
15m	40m
10m	26m
6m	16m
3m	9m

## Walk towards



Height	Range Diameter
15m	30m
10m	20m
6m	12m
3m	8m

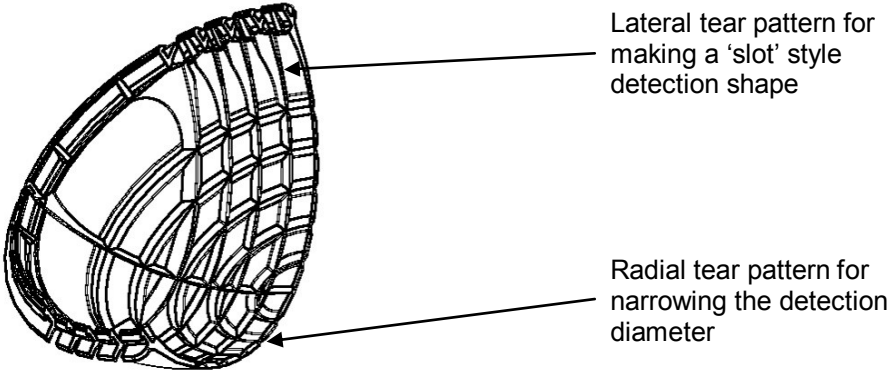
## Alignment marks



The sensor head has 4 alignment marks. These correspond to the 4 outer passive infrared sensors under the lens. Use these marks to align with aisles and corridors to ensure the best detection characteristics. See example overleaf.

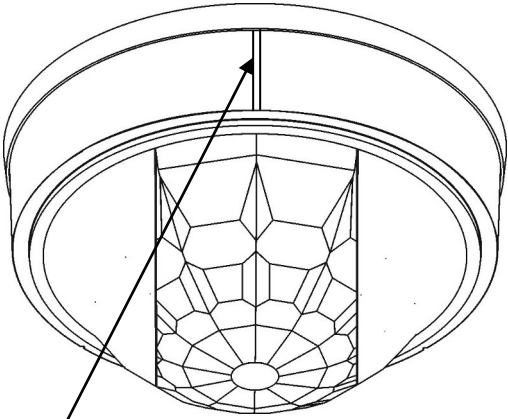
Masking

Includes two clip-on masking shields to allow for precise masking of the detection shape. The masks can be easily shaped to produce detection patterns suitable for applications such as aisles and corners and for narrowing the detection diameter.

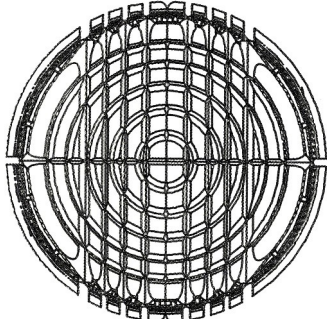


Aisles

Masking shields trimmed for aisle shaped detection



Align trimmed shields with sensor head alignment marks and aisle.



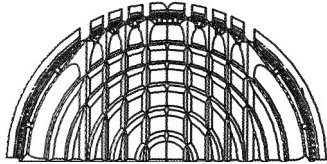
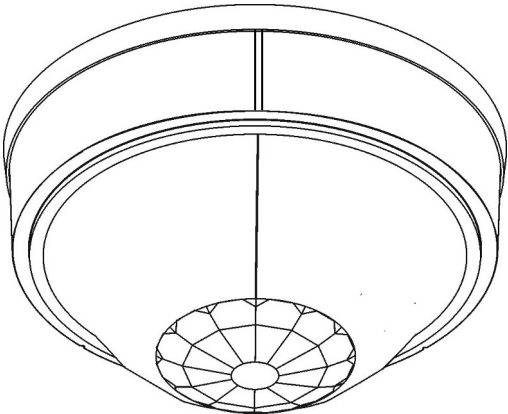
Slot number	Masking shield % coverage
1	45%
2	32%
3	22%
4	11%

Slot number 1 2 3 4 4 3 2 1

**Example**  
 Mounting height 6m  
 Trimmed to slots 2  
 Aisle detection width 16m x 32% = 5.1m walk across  
 12m x 32% = 3.8m walk towards

Narrow detection

Masking shields trimmed for a narrow beam of detection



Diameter number	Masking shield % coverage
1	89%
2	63%
3	45%
4	32%
5	22%

Diameter number 1 2 3 4 5 5 4 3 2 1

**Example**  
 Mounting height 15m  
 Trimmed to diameter 3  
 Detection diameter 40m x 45% = 18m walk across  
 30m x 45% = 13.5m walk towards

# Sensor functionality

## Detection Mode

The Detection Mode can be set to behave in Presence or Absence mode:

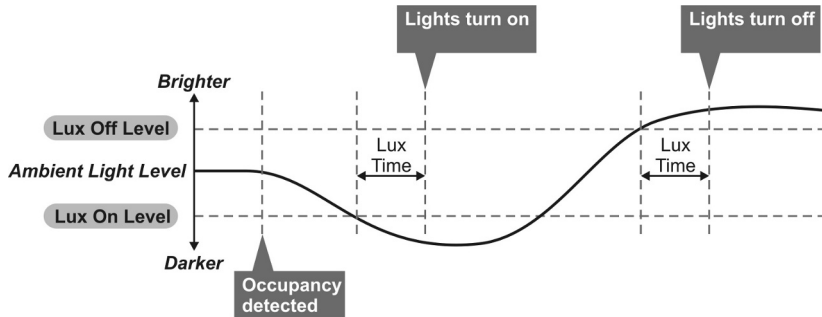
- **Presence** When movement is detected the load will automatically turn on. When the area is no longer occupied the load will automatically switch off after an adjustable time period.
- **Absence** The load is manually switched on. When the area is no longer occupied the load will automatically switch off after the adjustable time period has elapsed.

In either case, sensitivity to movement of the PIR sensor can be adjusted using the Sensitivity parameter.

*HINT: To assist in setting the Sensitivity, turn on the Walk Test LED which will flash red when movement is detected.*

## Switch Level On/Off

Occupancy detection can be made dependant on the ambient light level using the Lux On Level and Lux Off Level parameters.

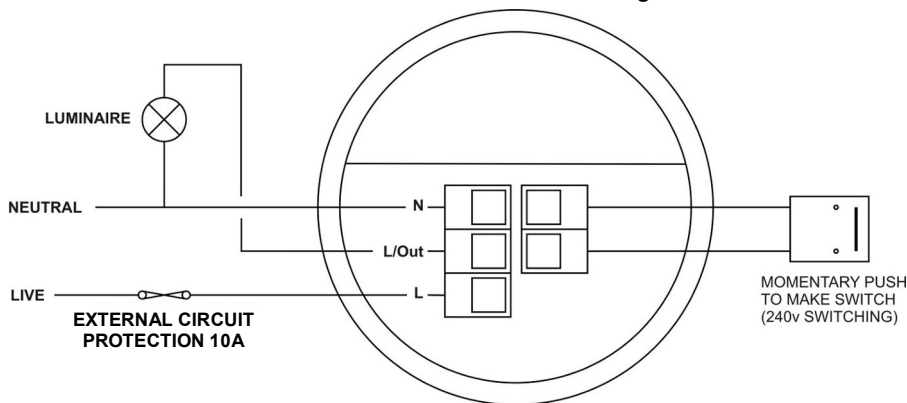


# Installation

## Choosing a Suitable Location

Designed to be ceiling mounted and must satisfy the following criteria:

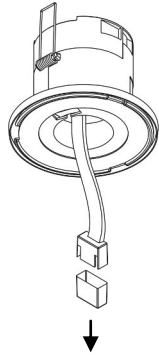
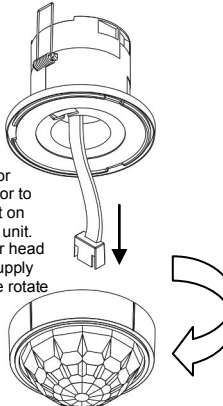
- Avoid positioning the unit where direct sunlight may enter the sensor element.
- Do not site the sensor within 1m of any lighting, forced air heating or ventilation.
- Do not fix the sensor to an unstable or vibrating surface.



## Absence detection

- To use absence detection a retractive (momentary) switch must be connected between the 2 terminals on the diagram. Note that this will be switching mains voltage.
- The unit ships with presence detection as default. To change to absence detection, press and release the external switch 5 times within the first minute of power up. The LED will turn on solid for 30 seconds to indicate absence mode has been selected.
- To change back to presence detection, repeat the above procedure—the LED will flash for 30 seconds to indicate presence mode has been selected.

**Note:** the above adjustments can also be made using the UHS5 or UNLCDHS handsets. See Programming sections.

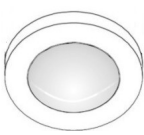
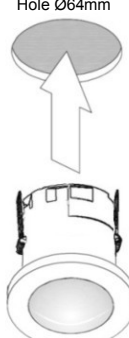
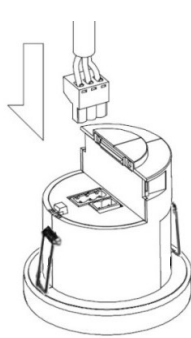
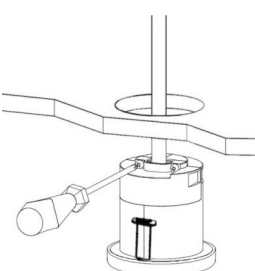
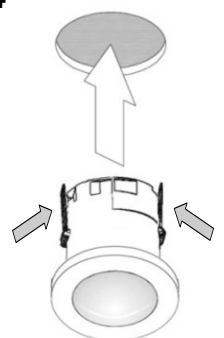
<p><b>Assembly</b></p> <p><i>May be supplied in two parts. Follow the instructions to assemble.</i></p> <p><b>Safety note</b></p> <p><i>Only apply power when the sensor head has been locked into position onto power supply.</i></p>	<p><b>1</b></p>  <p>Remove connector cover</p>	<p><b>2</b></p>  <p>Push-in sensor head connector to mating socket on power supply unit. Locate sensor head onto power supply and clockwise rotate until locked.</p>
--	---	---


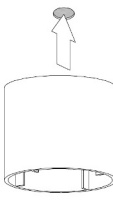
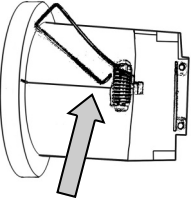
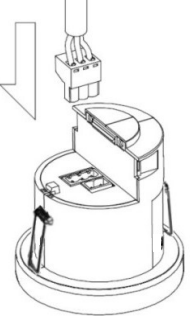
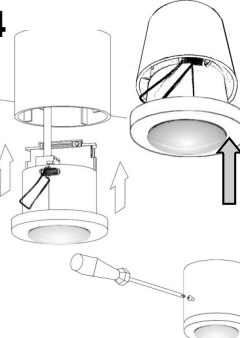
Designed to be mounted using either:

- Flush fixing, or
- Surface fixing, using the optional Surface Mounting Box (part no. DBB).

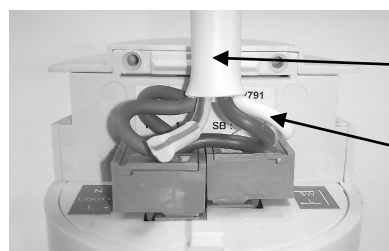
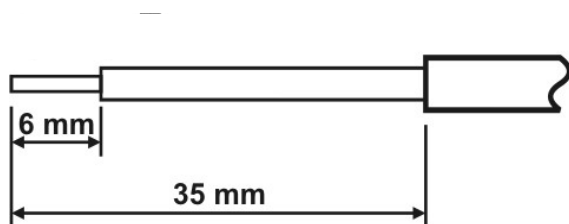
Both methods are illustrated below.

Use the supplied gasket to ensure IP rating (*not compatible with Surface Mounting Box part no. DBB*).

<p><b>Flush Fixing</b></p> <p><i>Warning - be careful bending springs when mounting unit.</i></p> 	<p><b>1</b></p> <p>Hole Ø64mm</p> 	<p><b>2</b></p> 	<p><b>3</b></p> 	<p><b>4</b></p> 
--	--	--	---	--

<p><b>Surface Fixing</b></p> 	<p><b>1</b></p> <p>50mm or 60mm fixing centres</p> 	<p><b>2</b></p>  <p>Pull out spring tab and rotate spring arm as shown</p>	<p><b>3</b></p> 	<p><b>4</b></p> 
--	--	---	---	---

## Wire stripping details



**Important**

Ensure that the cables are formed as shown before affixing the cable clamp. The clamp **MUST** clamp the outer sheath(s) only.

Bend cores as shown.

## Power-up test procedure

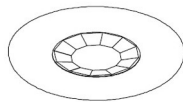
When power is applied to the unit, the load will turn on immediately.

Set the timeout to 10 seconds, vacate the room or remain very still and wait for the load to switch off.

Check that the load switches on when movement is detected.

The unit is now ready for programming.

# Basic programming



The functionality is controlled by a number of parameters which can be changed or programmed by any of the following devices:

- **796-2097** Infrared Handset. See below for programmable functions.



For most basic programming operations the 796-2097 handset can be used and the following procedures are based on using this device.

Point the handset at the Sensor and send the required programming commands to the unit as shown below.

Valid commands will be indicated by a red LED flash. See page 1 for details of other LED responses.

*Note: other functions on the 796-2097 which are not shown below are not applicable to this product.*

Parameter Name	Default Value	Number of Shift key presses				796-2097 Handset Graphics	Description
		0 SHIFT 1 SHIFT 2	1 SHIFT 1 SHIFT 2	2 SHIFT 1 SHIFT 2	3 SHIFT 1 SHIFT 2		
<b>Button Activation</b>							
On		On					Turn lights on.
Off		Off					Turn lights off.
Walk test	Off	On	Off				When set to On this causes a red LED to flash on the sensor when it detects movement. Use this feature to check for adequate sensitivity levels.
Time Out (Time adjustment)	20 mins	1, 10 & 20 minutes	5, 15 & 30 minutes	10 seconds			Once the detector is turned on, this value sets how long the lights will stay on once movement has ceased.
Lux on level (Switch level on)	9	2, 5 & 7	4, 6 & 9				Lux level setting to prevent the luminaires being switched on if the ambient light level is sufficient (adjustable between 1 and 9). The luminaires will always be switched on at level 9.
Lux off level (Switch level off)	9	2, 5 & 7	4, 6 & 9				Lux level setting to switch the luminaires off during occupancy if the ambient light level goes above the setting (adjustable between 1 and 9). Level 9 will always keep the lights on. This setting can be used for "window row switching". <i>Note: the Lux Off Level value must always be greater than the Lux On Level value.</i>
Sensitivity	9	1, 5 & 9	3, 6 & 8				Sensitivity level for detecting movement. 1 = low sensitivity 9 = high sensitivity
Defaults				D			Returns the unit to the default settings.
Presence / Absence	Presence	Presence	Absence				Presence mode allows the output to turn on when movement is detected and off when movement ceases. Absence mode allows the output to turn off when movement ceases, but must be manually turned on first.
Shift							Use this button to select the settings in red and blue signified by the 'Shift 1' and 'Shift 2' LEDs

## Fault finding

### What if the load does not turn ON?

- Check that the live supply to the circuit is good.
- Check that the load is functioning by bypassing the sensor (e.g. link terminals **L** and **L/ Out** on Channel1).
- If the detection range is smaller than expected, check the diagrams on page 2. Rotating the sensor slightly may improve the detection range.

HINT: *The Walk Test LED function can be used to check that the unit is detecting movement in the required area.*

### What if the load does not turn OFF?

- Ensure that the area is left unoccupied for longer than the Time Out Period.
- Ensure that the sensor is not adjacent to circulating air, heaters or lamps.

# Advanced programming

Parameter Name	Default Value	Range / Options	Description		
<b>Detector Parameters</b>					
Walk Test LED	Off	On or Off	When set to On this causes a red LED to flash on the sensor when it detects movement. Use this feature to check for adequate sensitivity levels.	✓	
Time Out (Time adjustment)	20 minutes	0-99 minutes	Once the detector is turned on, this value sets how long the lights will stay on once movement has ceased. Select 0 for 10 second delay – use for commissioning only.	✓	
Manual Time Out	10 minutes	0-99 minutes	When a manual operation occurs, either via the switch input or the infrared, it invokes the timeout period. Example 1: a detector in presence mode has a detector timeout of 15 minutes and a manual timeout of 3 minutes. When the user leaves the room they press the off button. The sensor will revert to automatic after 3 minutes, and then walking back in the room will turn the lights on. Example 2: using the settings above, the user turns the lights off (say for a presentation) but stays in the room. Every time a movement is detected, the manual timeout period is re-triggered, but when it doesn't pick up for the short timeout period, the sensor will timeout and revert to automatic. This means the lights may turn on inadvertently during the presentation, if the occupants are still for the manual timeout period, so adjust the timing carefully.	✗	
Sensitivity On	9	1 (min) to 9 (max)	Sensitivity level for detecting movement when the detector is already on. <b>*UHS5 sets Sensitivity On and Off to the same value.</b>	✓*	
Sensitivity Off	9	1 (min) to 9 (max)	Sensitivity level for detecting movement when the detector is off. <b>*UHS5 sets Sensitivity On and Off to the same value.</b>	✓*	
Lux time	0	0 (disabled) 1-99 minutes	If the detector measures the lux level and decides that the output needs switching on or off as a consequence, the lux time must elapse first. If at any time during the timed delay the lux change reverses then the process is cancelled. Lux Time enables absence detection to be implemented with a lux off level set. When the button is pressed, the lights will go on, regardless of ambient light level. However, if there is sufficient ambient light, they will turn off again after the Lux Time. <i>Note that whenever the an external switch is pressed, whether in absence or presence mode, if the lights were out because of the lux level, they will be immediately turned on again for at least the Lux Time.</i>	✗	
Power Up State	On	On or Off	Select No for a 30 second delay on start up. If Yes is selected, there will be no delay on start up and the detector will always power up detecting.	✗	
Inhibit	4 seconds	1 to 999 seconds	When the detector turns off, a delay is instigated to prevent retriggering. In certain circumstances this delay may not be enough. This parameter allows the delay to be changed.	✗	
Verify	N	Y or N	Requires two or more PIR detectors to detect to trigger the lights on.	✗	
Factory default	-	-	Restores factory default settings	✓	

<b>Switching functions</b>					
Detection Mode	Presence	Presence or Absence	Presence mode allows the output to turn on when movement is detected and off when movement ceases. Absence mode allows the output to turn off when movement ceases, but must be manually turned on first.	✓	
Lux on level (Switch level on)	9	1 to 9 For a higher resolution a scale of 101-199 is available	Sets a minimum light level below which the PIR sensor is enabled, allowing lights to be turned on by movement. <i>Note: the Lux Level Off value must always be greater than the Lux Level On value.</i>	✓	
Lux off level (Switch level off)	9	1 to 9 For a higher resolution a scale of 101-199 is available	Sets a maximum light level above which the PIR sensor is disabled, preventing lights from being turned on by movement.	✓	

<b>User Modes</b>					
Override On	-	-	If the lights are off, sending the IR command will turn them on immediately and revert to automatic operation using the manual timeout period .	✓	
Override Off	-	-	If the lights are on, sending the IR command will turn them off immediately. After the manual timeout period (described above), the sensor will revert to automatic.	✓	
Cancel	-	-	Cancels the on or off override, returning the detector to normal operation.	✗	

<b>Switch Input Modes</b>					
1 position switch together	Default	-	Short press on, long press off.	✗	
2 position switch together	-	-	Short press on, short press off.	✗	

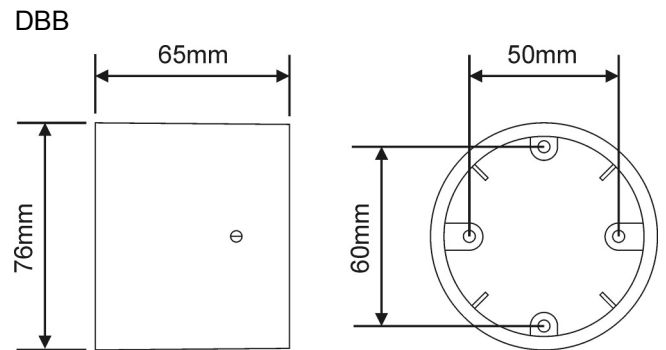
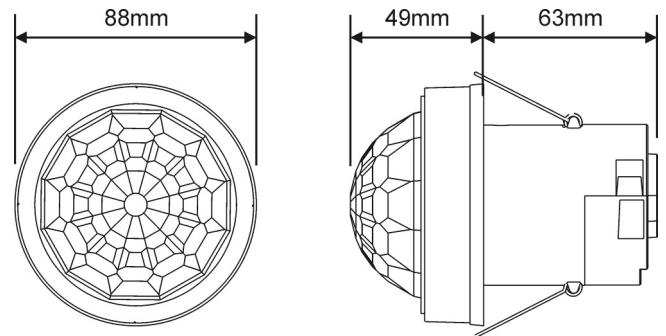
## Technical data

Dimensions	See diagrams opposite
Weight	0.2kg complete unit
Supply Voltage	230VAC +/- 10%
Frequency	50Hz
Circuit protection	10A

Compliance	EMC-2004/108/EC LVD-2006/95/EC
------------	-----------------------------------



Maximum Load	10A of lighting and/or ventilation including incandescent, fluorescent, compact fluorescent, low voltage (by switching the primary of transformer).
Power consumption	On 822mW, Off 847mW



UK and international patents applied for

## Part numbers

	Part number	Description	Switched inputs	Relays	Dimmed outputs
Complete detector	796-2047	Switching standard detector	1	1	0
	796-2056	Digital dimming standard detector	2	1	1
	796-2059	1-10V dimming standard detector	2	1	1

### IMPORTANT NOTICE!

This device should be installed by a qualified electrician in accordance with the latest edition of the IEE Wiring Regulations and any applicable Building Regulations.



FM 45789



EMS 534520