


RS Pro Datasheet

5.08mm Pitch Pluggable Rising Clamp Terminal

- 2-24 pole solid block
- Pluggable male-female connectors
- Open & closed headers
- Horizontal & vertical female plug styles
- Polarised mouldings
- Moulded in green UL94-V0 flame retardant PA66
- Professional rising clamp terminals
- 0.33-2mm² (22-14AWG) solid & stranded cable
- Captive screws
- Guided pin alignment
-  approved

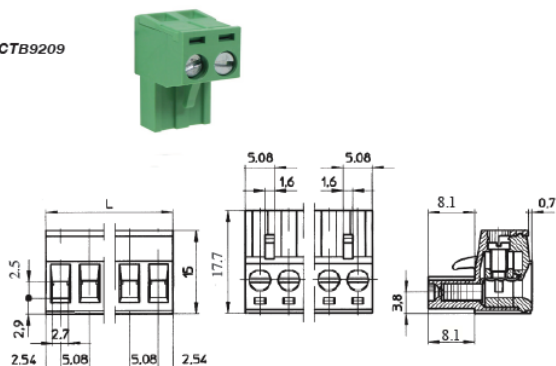
SPECIFICATION

Rating	15A 300V
Insulation resistance	1000MΩ/1000V
Withstand Voltage	AC1500V/1min
Contact Resistance	20mΩ
Working Temperature	-40°C to +105°C
Mouldings	UL94-V0 flame retardant PA66
Pin/Terminal	Tin plated brass
Screw/Torque	M2.5 Steel, Nickel Plated 0.4Nm
Recommended PCB hole size	ø1.7mm

Female connector

TYPE NO.	POLES	LENGTH
CTB9209/2	2	10.2mm
CTB9209/3	3	15.2mm
CTB9209/4	4	20.3mm
CTB9209/5	5	25.4mm
CTB9209/6	6	30.5mm
CTB9209/7	7	35.6mm
CTB9209/8	8	40.6mm
CTB9209/9	9	45.7mm
CTB9209/10	10	50.8mm
CTB9209/11	11	55.9mm
CTB9209/12	12	61mm
CTB9209/13	13	66mm

TYPE NO.	POLES	LENGTH
CTB9209/14	14	71.1mm
CTB9209/15	15	76.2mm
CTB9209/16	16	81.3mm
CTB9209/17	17	86.4mm
CTB9209/18	18	91.4mm
CTB9209/19	19	96.5mm
CTB9209/20	20	101.6mm
CTB9209/21	21	106.7mm
CTB9209/22	22	111.8mm
CTB9209/23	23	116.8mm
CTB9209/24	24	121.9mm

CTB9209

Female connector vertical (standard)

TYPE NO.	POLES	LENGTH
CTB922VJ/2S	2	10.2mm
CTB922VJ/3S	3	15.2mm
CTB922VJ/4S	4	20.3mm
CTB922VJ/5S	5	25.4mm
CTB922VJ/6S	6	30.5mm
CTB922VJ/7S	7	35.6mm
CTB922VJ/8S	8	40.6mm
CTB922VJ/9S	9	45.7mm
CTB922VJ/10S	10	50.8mm
CTB922VJ/11S	11	55.9mm
CTB922VJ/12S	12	61mm
CTB922VJ/13S	13	66mm

TYPE NO.	POLES	LENGTH
CTB922VJ/14S	14	71.1mm
CTB922VJ/15S	15	76.2mm
CTB922VJ/16S	16	81.3mm
CTB922VJ/17S	17	86.4mm
CTB922VJ/18S	18	91.4mm
CTB922VJ/19S	19	96.5mm
CTB922VJ/20S	20	101.6mm
CTB922VJ/21S	21	106.7mm
CTB922VJ/22S	22	111.8mm
CTB922VJ/23S	23	116.8mm
CTB922VJ/24S	24	121.9mm

CTB922VJ/S
