

Datasheet**RS PRO M12 Female – Female Straight 4 Pin D-Coded Connector, TPE Cable, 2m**

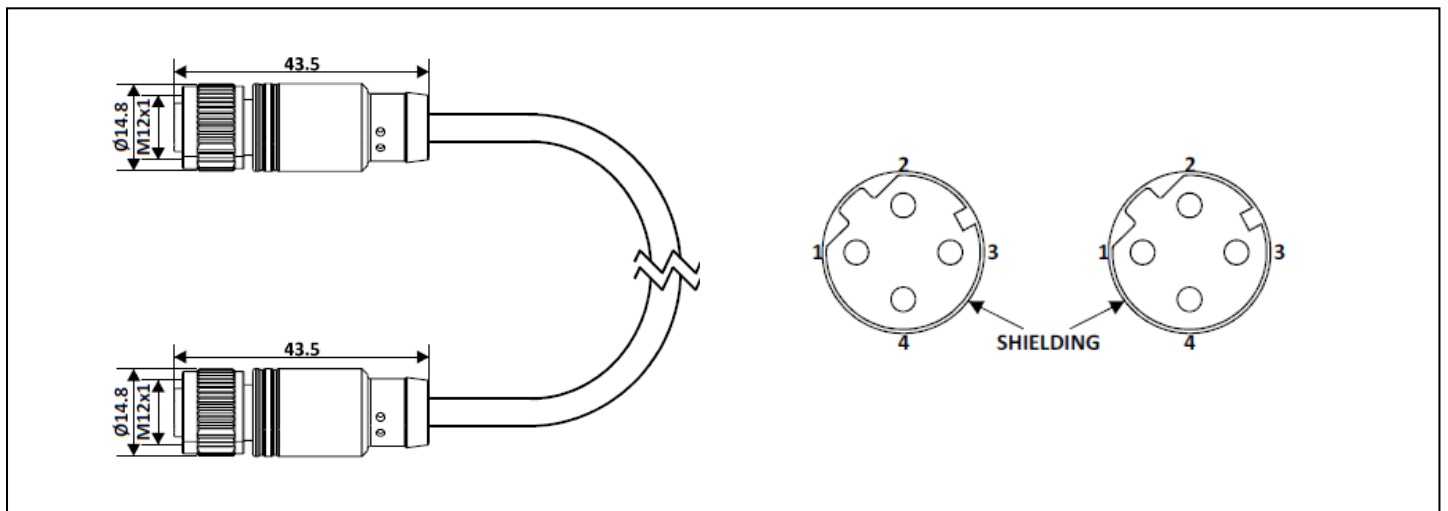
Part No: 2017104

**Technical Specifications:**

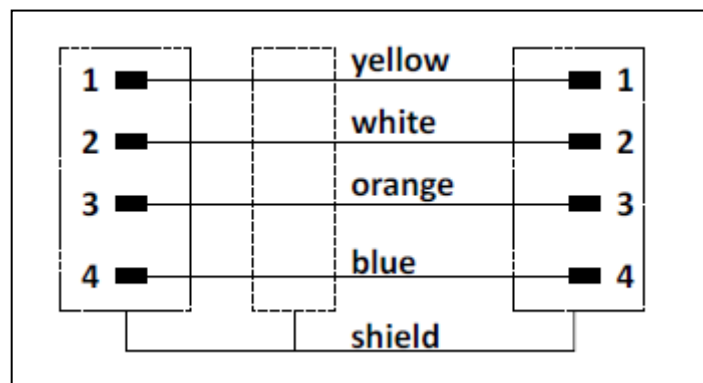
| | |
|---------------------------|---------------------|
| Rated Operational Voltage | 250 V |
| Current Rating | 4 A |
| Insulation Resistance | ≥100 MΩ |
| Temperature Range | -25° ... +75°C |
| Coding | D-Coded |
| Degree of Protection | IP67 |
| Grip Material | PU |
| Contact | Cu-Zn |
| Contact Plating | Gold Flash |
| Contact Carrier | Nylon 66 |
| O-ring | Neoprene |
| Coupling Nut | Brass Nickel-Plated |
| Grip Colour | Black |

Cable Specifications:

| | |
|-----------------------|--------------------------------|
| Cable Length-L | 2 m |
| Cable Type | Cat5e TPE (2 x 2 Twisted Pair) |
| Sheath Colour | Green |
| Cross Section of Wire | AWG 22 |
| Cable Dia | 6.5 ± 0.2 mm |
| Core Insulation | PE |
| Transfer Parameters | CAT5E |
| Transfer Rate | up to 100 Mbit/s |
| Shielding Details | Braiding 75% Approx. |



Wiring Diagram:



Quality Standard: IEC 61076-2-101



Type Approved
Safety
Regular Production
Surveillance



www.tuv.com
ID 1111210483

