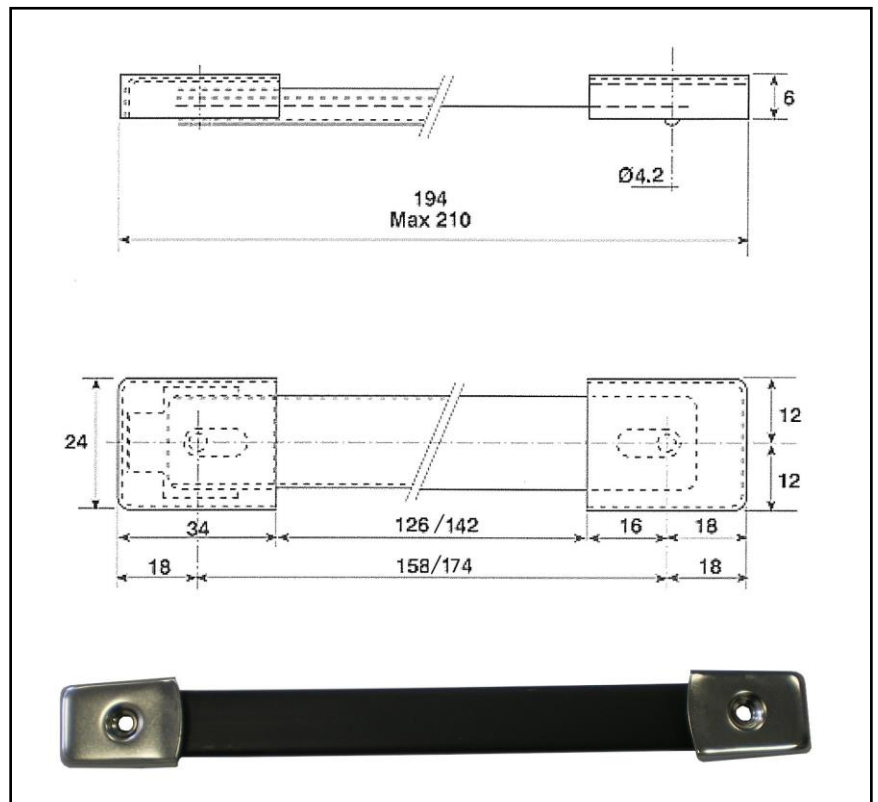


FEATURES

- Carrying handle
- Material: Plastic
- Dimensions:
24 x 158 mm

RS PRO Plastic carry Handle

RS Stock No.: 136-3418



RS Professionally Approved Products bring to you professional quality parts across all product categories. Our product range has been tested by engineers and provides a comparable quality to the leading brands without paying a premium price.

Product Description

*This carry handle is made from lightweight but robust plastic.
It's a lay-flat handle, which means it can be positioned flat against the lid of whatever you're carrying.*

With a maximum load of 10 kg, this plastic carry handle can be used to carry a wide range of instruments, machinery and electrical tools.

High strength provided by the metal insert.

The bridges are not attached to the rings. Very low overall thickness.

Automatic handle plating.

Wide hand positioning.

General Specifications

Material	Plastic
Finish	Black plastic
Concealed Fixings	No
Colour	Black
Insert Material	metal
Package	2
Handle Type	Carry

Mechanical Specifications

Length	158mm
Height	6mm
Width	24mm
Thread Type	M4
Holes Diameter	Ø 4,2mm
Maximum load per handle	10 kg
Weight	230g

Classification

eCl@ss Version	
UNSPSC Version	

Approvals

Compliance/Certifications	RoHS
Declarations	

Similar Products

Parameters	Stock#	Stock#	Stock#	Stock#
Brand	RS PRO	RS PRO	RS PRO	RS PRO
Material				
Finish				
Concealed Fixings				
Colour				
Insert Material				
Package				
Handle Type				
Length				
Height				
Width				
Fixing Centres				
Thread Type				
Diameter				
Door thickness				
Fixing bolts				
Clearance between door and inside of handle				
Projection				

INCLUDES WITH PRODUCT: / STANDARD ACCESSORIES