

Wall or bench mount clamp, auto adjustable - 1693.2



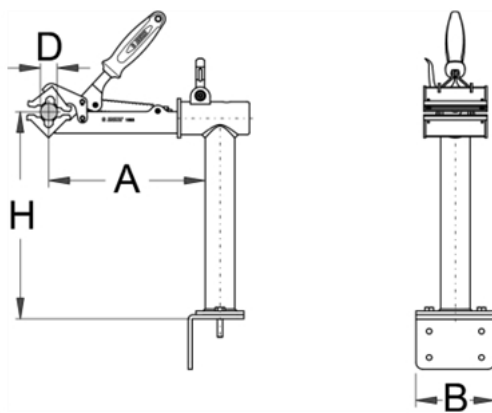
Description

- Bench or wall mount option.
- Intended for professional and home workshops.
- Suitable for tubes with diameter of min. Ø24 mm and max. Ø32 mm.

Technical Data

Barcode	D <sub>↓</sub>	D <sub>↑</sub>	B	A	H	Weight	Material	Accessories	Other
62258 9	24	32	120	239	313	4600	K	1	-

Packaging data



Barcode	Retail tool packaging					Transport package			
	Retail packing in mm (length)	Retail packing in mm (width)	Retail packing in mm (height)	Weight	Volume	Transport packing in mm (length)	Transport packing in mm (width)	Transport packing in mm (height)	Weight
62258 9	210	420	145	4020	1	210	420	145	4020