

A solid red circle positioned to the left of the title text.

# IPC101-5M-T Camera Data Sheet

# Contents

|                        |   |
|------------------------|---|
| Overview               | 3 |
| Key features           | 3 |
| Specifications         | 5 |
| Dimensions             | 7 |
| Additional information | 7 |
| Document history       | 7 |

## I Overview

Adopting a 5 megapixel progressive scan CMOS sensor with a 2.8mm fixed lens, the network camera can provide a high- definition professional surveillance and security solution. Designed for indoor and outdoor environments, ideal for home, shop and other SMBs.

- Captures 5MP Super HD Video, 2D/3D DNR
- 30m (98ft) Night Vision
- Ultra 265, H.265, H.264, MJPEG
- PoE Power Supply
- Water and Dust Resistant (IP67)
- Built-in Microphone
- Clear Imaging Against Strong Backlight due to WDR



## I Key features

### Plug and play PoE connection

With only a single ethernet cable to get powered and transmit video, PoE (Power over Ethernet) cameras allow you to DIY their positions anywhere you want. No need of a separate power adapter for power supply of each camera, simplifying installation and helping to keep costs low.

### DWDR

Cameras with Digital Wide Dynamic Range (DWDR) can produce images even under varying light conditions. It can also maintain proper image brightness, exposure and contrast to ensure good image clarity. WDR is measured in dB. A WDR of range can capture greater scale of brightness.

### **3D DNR**

Developed for shooting at night or in dimly lit places, 3D Digital Noise Reduction (DNR) decreases picture noise and reduces colourmixture errors. 3D DNR removes the grainy fuzzy appearances of low light images, will handle moving objects without leaving tails behind, and in low light, it makes an image clearer and sharper compared to no noise reduction or 2D DNR. 3D DNR is essential to producing a clear image from your security cameras.

### **Smart IR technology**

Smart IR technology can detect the infrared (IR) wavelengths, enabling the cameras to see even in low light condition or in complete darkness, and providing protection day and night.

### **IP67 protection**

IP67 rated housing protects the camera against rain and dust. Capable of withstanding temperatures from -20 ~ 60 ° C (-4~140° F), the cameras perform well even in demanding environments.

### **H.265 and smart encoding technology**

Smart encoding technology can reduce storage costs without sacrificing resolution and frame rate. Under the same configuration, H.265 with smart encoding technology only costs one hard disk to store the same video record which needs four hard disks under H.264, saving 75% storage cost.

### **Multiple ways of management**

The camera supports different ways of management. Free monitoring softwares and Apps are available to view, manage and record the camera through the connected NVR, computer or mobile phone.

## Specifications

Table 1 shows the technical specification for FS IPC101-5M-T.

**Table 1. Technical specification**

| Camera                  |  |            |               |               |                  |
|-------------------------|--|------------|---------------|---------------|------------------|
| Image Sensor            | 1/3" Progressive Scan CMOS   |            |               |               |                  |
| Lens                    | 2.8mm@F2.1   |            |               |               |                  |
| DORI Distance           | Lens (mm)  | Detect (m) | Observe (m)   | Recognize (m) | Identify (m)     |
|                         | 2.8  | 63.0       | 25.2          | 12.6          | 6.3              |
| Angle of View (H)       | 89.1°  |            |               |               |                  |
| Angle of View (V)       | 47.3°  |            |               |               |                  |
| Angle of View (D)       | 94.3°  |            |               |               |                  |
| Adjustment Angle        | Pan: 0° ~360°  |            | Tilt: 0° ~80° |               | Rotate: 0° ~360° |
| Shutter                 | Auto/Manual, 1 ~ 1/100000s   |            |               |               |                  |
| Minimum Illumination    | Colour: 0.02Lux (F2.1, AGC ON) 0Lux with IR on   |            |               |               |                  |
| Digital Noise Reduction | 2D/3D DNR  |            |               |               |                  |
| Day/Night               | IR-cut Filter with Auto Switch (ICR)   |            |               |               |                  |
| S/N                     | >56dB  |            |               |               |                  |
| IR Range                | Up to 30m (98ft) IR Range  |            |               |               |                  |
| Defog                   | Digital Defog  |            |               |               |                  |
| WDR                     | DWDR   |            |               |               |                  |
| Video                   |  |            |               |               |                  |
| Video Compression       | Ultra 265, H.265, H.264, MJPEG   |            |               |               |                  |
| Frame Rate              | Main Stream: 5MP (2592*1944), Max 20fps; 4MP (2560*1440), Max 20fps; 3MP (2304*1296), Max 20fps; 1080P (1920*1080), Max 30fps; 720P (1280*720), Max 30fps; D1 (720*576), Max 30fps;<br>Sub Stream: D1 (720*576), Max 30fps; 640*360, Max 30fps; 2CIF(704*288), Max 30fps; CIF(352*288), Max 30fps; |            |               |               |                  |
| H.264 Code Profile      | Baseline Profile, Main Profile, High Profile   |            |               |               |                  |

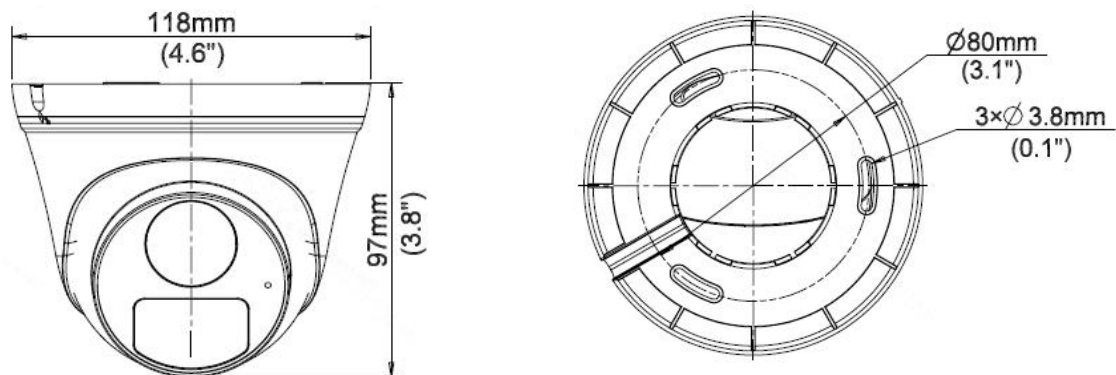
|                        |  |
|------------------------|--|
| <b>Video</b>           |  |
| HLC                    | Supported  |
| BLC                    | Supported  |
| OSD                    | Up to 4 OSDs   |
| Privacy Mask           | Up to 4 areas  |
| ROI                    | Up to 8 areas  |
| Motion Detection       | Up to 4 areas  |
| <b>Audio</b>           |  |
| Audio Compression      | G.711  |
| Suppression            | Supported  |
| Sampling Rate          | 8KHZ   |
| <b>Interface</b>       |  |
| Network                | 10/100M Base-TX Ethernet   |
| Built-in Mic           | Supported  |
| <b>Network</b>         |  |
| Protocols              | IPv4, IGMP, ICMP, ARP, TCP, UDP, DHCP, RTP, RTSP, RTCP, DNS, DDNS, NTP, FTP, UPnP, HTTP, HTTPS, SMTP, SSL, QoS, RTMP |
| Compliance             | NDAA Section 889 compliant   |
| Interoperability       | ONVIF® Profile S, ONVIF® Profile T specification at <a href="https://onvif.org">onvif.org</a> , API                  |
| <b>General</b>         |  |
| Power                  | DC 12V ± 25%, PoE (IEEE 802.3af)   |
| Power Consumption      | Max 4.5W   |
| Dimensions (H × W × D) | Ø4.6"x3.8"(Ø118x97mm)  |

## General

|                     |  |
|---------------------|--|
| Weight              | 0.27kg (0.60lb)  |
| Working Environment | -30° C ~ 60° C (-22° F ~ 140° F), Humidity: ≤95% RH (non-condensing) |
| Surge Protection    | 4KV  |
| Ingress Protection  | IP67   |
| Reset Button        | Supported  |
| Material            | Plastic+Metal  |

\*ONVIF is a trademark of ONVIF, Inc.

## Dimensions



## Additional information

For more information about the IPC101-5M-T camera, contact your account manager or visit <https://www.fs.com/products/170041.html>

## Document history

| New or revised topic                        | Described in | Date     |
|---|--------------|----------|
| Updates to FS IPC101-5M-T Camera Data Sheet | Updated all  | 3/7/2023 |



### **Shenzhen (China)**

Address: 24F, Yingfeng Center, Haitian 2nd Rd,  
Nanshan District, Shenzhen  
Tel: +86 (755) 8357 1351  
Email: sales@feisu.com

### **Delaware (United States)**

Address: 380 Centerpoint Blvd, New Castle,  
DE 19720, United States  
Tel: +1 (888) 468 7419  
Email: us@fs.com

### **Munich (Germany)**

Address: NOVA Gewerbepark Building 7, Am  
Gfild 7,85375 Neufahrn bei Munich, Germany  
Tel: +49 (0) 8165 4099 260  
Email: de@fs.com

### **Singapore**

Address: 30A Kallang Pl, #11-10/11/12 Singapore  
339213  
Tel: +65 6443 7951  
Email: sg@fs.com

### **Wuhan (China)**

Address: 9-14F, Optical Valley Software Park  
A7, Guanshan Ave, Wuhan  
Tel: +86 (027) 8808 9195  
Email: sales@feisu.com

### **Birmingham (United Kingdom)**


Address: Regus Edmund House, 12-22 Newhall  
Street, Birmingham, B3 3AS  
Tel: +49 (0) 8165 4099 260  
Email: uk@fs.com

### **Melbourne (Australia)**

Address: 57-59 Edison Rd, Dandenong South,  
VIC 3175, Australia  
Tel: +61 3 9693 3488  
Email: au@fs.com

### **Tokyo (Japan)**

Address: JS Progress Building, 4-1-23 Heiwajima,  
Ota-ku, Tokyo 〒143-0006  
Tel: 03-5826-8305  
Email: jp@fs.com



FS has several offices around the world. Addresses, phone numbers are listed on the FS Website at [https://www.fs.com/contact\\_us.html](https://www.fs.com/contact_us.html)  
FS and FS logo are trademarks or registered trademarks of FS in the U.S. and other countries.