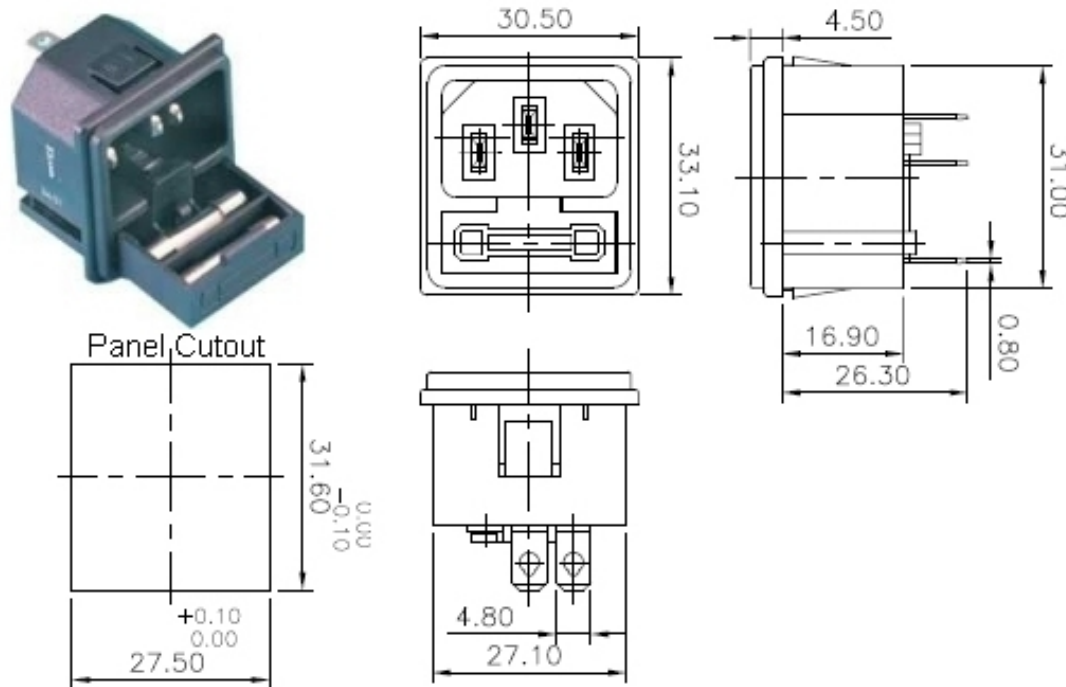


EMI-11



IEC Inlet with fuse-5X20

Specifications

Current & voltage rating:	10Amp, 250VAC
Product Description:	IEC Inlet with fuse 5x20 snap mounting
Panel thickness:	Standard - 1.5, Other - On request
Permissible temperature - For soldering:	270 deg.C for 5 seconds max.
Permissible temperature - With/without load:	0 to 70deg. C
Approvals:	Self-Certified
Reference Standard:	IEC 60320-1
Material - Body:	Nylon
Material - Terminals:	Copper Alloy, Tin plating
Terminals:	Solder-type / Fast on 4.8X 0.8
Mounting:	Panel, Snap-in type
HV Breakdown test for 1 Minute:	2 KVAC
Insulation Resistance at 500 VDC:	1000 Mohms min.
Contact Resistance (Initial):	10 mohms max.
MOQ:	200 nos.