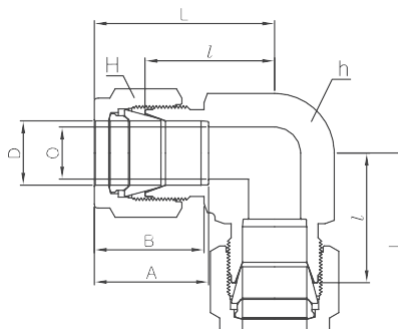


Union Elbow
AL

Connects fractional tube

Part No.	Tube O.D.		O Min	Width across flat				A	B	I	L
	D			h		H					
	in	mm		in	mm	in	mm				
AL-1	1/16	1.59	1.27	3/8	9.52	5/16	7.93	8.63	10.92	14.00	17.88
AL-2	1/8	3.17	2.28	3/8	9.52	7/16	11.11	12.70	15.24	15.74	22.35
AL-3	3/16	4.76	3.04	1/2	12.70	1/2	12.70	13.71	16.00	17.78	24.38
AL-4	1/4	6.35	4.82	1/2	12.70	9/16	14.28	15.24	17.78	19.55	26.92
AL-5	5/16	7.93	6.35	9/16	14.28	5/8	15.87	16.25	18.54	21.33	28.70
AL-6	3/8	9.52	7.11	5/8	15.87	11/16	17.46	16.76	19.30	23.11	30.48
AL-8	1/2	12.70	10.41	13/16	20.64	7/8	22.22	22.86	21.84	25.90	36.06
AL-10	5/8	15.87	12.70	15/16	23.81	1	25.40	24.38	21.84	28.70	38.80
AL-12	3/4	19.05	15.74	1-1/16	26.98	1-1/8	28.58	24.38	21.84	29.71	39.87
AL-14	7/8	22.22	18.28	1-3/8	34.92	1-1/4	31.75	25.90	21.84	34.54	44.70
AL-16	1	25.40	22.35	1-3/8	34.92	1-1/2	38.10	31.24	26.41	36.83	49.02
AL-20	1-1/4	31.75	27.68	1-11/16	42.86	1-7/8	47.63	41.14	38.86	44.50	66.54
AL-24	1-1/2	38.10	34.03	2	50.80	2-1/4	57.15	50.03	45.21	50.80	77.97
AL-32	2	50.80	45.97	2-3/4	69.85	3	76.20	67.56	62.73	69.80	107.18

Connects metric tube

Part No.	Tube O.D. D	O Min	Width across flat		A	B	I	L
			h	H				
AL-2M	2	1.7	9.5	12	12.9	15.3	15.7	22.3
AL-3M	3	2.4	9.5	12	12.9	15.3	15.7	22.3
AL-4M	4	2.4	12.7	12	13.7	16.4	18.8	25.4
AL-6M	6	4.8	12.7	14	15.3	17.7	19.6	27.0
AL-8M	8	6.4	14.3	16	16.2	18.6	21.3	28.8
AL-10M	10	7.9	17.5	19	17.2	19.5	23.9	31.5
AL-12M	12	9.5	20.6	22	22.8	22.0	25.9	36.0
AL-15M	15	11.9	25.4	25	24.4	22.0	28.7	38.8
AL-16M	16	12.7	25.4	25	24.4	22.0	28.7	38.8
AL-18M	18	15.1	27.0	30	24.4	22.0	29.7	39.8
AL-20M	20	15.9	34.92	32	26.0	22.0	32.5	42.6
AL-22M	22	18.3	34.92	32	26.0	22.0	32.5	42.6
AL-25M	25	21.8	34.92	38	31.3	26.5	36.8	49.1
AL-28M	28	21.8	41.0	46	36.6	36.6	43.2	64.0
AL-32M	32	28.6	46.0	50	42.0	41.6	49.3	72.3
AL-38M	38	33.7	55.0	60	49.4	47.9	56.4	84.0