

FEATURES

- Motor Polarity Protection
- Dual ball bearing internals
- Compact and robust fan design
- Die cast aluminium frame (Black)
- Excellent and consistent air flow

RS PRO, 24 V dc, DC Axial Fan, 254 x 88.9mm, 1444.1m³/h, 64W

RS Stock No.: 619-6753



RS Professionally Approved Products bring to you professional quality parts across all product categories. Our product range has been tested by engineers and provides a comparable quality to the leading brands without paying a premium price.

Product Description

Brought to you by RS PRO, this wide range of DC brushless axial fans provide excellent cooling purposes. With their robust design and a motor incorporating polarity protection, the benefits of each axial fan speak for themselves for proficient cooling and ventilation purposes. All models are highly reliable and excellent quality

General Specifications

Air Flow	850CFM
Fan Speed	2500rpm
Noise Level	64dB
Direction of Curve	Forward
Frame	Die cast Aluminium, Black
Impeller	PBT, UL94V-0 Thermoplastic
Alarm Function	Yes
Special Features	Dual Ball Bearing; Tachometer
IP Rating	IP44
Applications	Server racks, Electrical cabinets and enclosures; Production Lines, Ceiling fan/ventilation Desktop computers, Motor engines (radiator in a car), Generators, Air compressors

Electrical Specifications

Motor	Brushless DC, Locked Rotor Protected, Auto Restart, Polarity Protected
AC or DC Operation	DC
Power Consumption	23.28W
Supply Voltage	24VDC
Maximum Current	970mA
Insulation Resistance	Min.10M Ohms at 500VDC

Mechanical Specifications

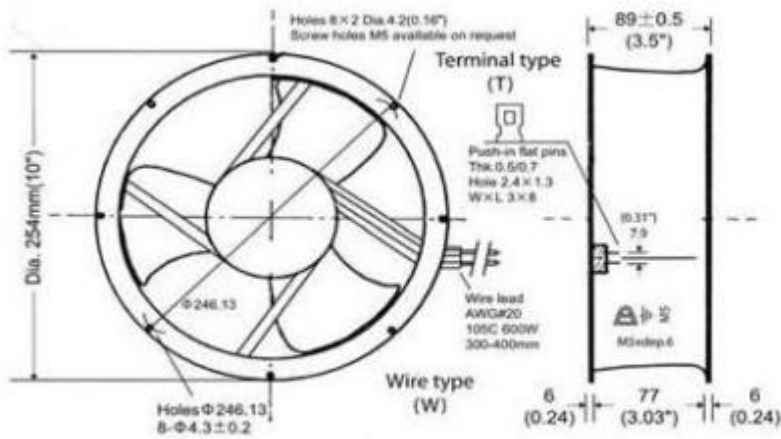
Dimensions	254mm x254mm x 89mm
Height	254mm
Width	254mm
Depth	89mm
Bearing Type	Ball
Life Expectancy	60,000 hours (L10)

Operation Environment Specifications

Operating Temperature	-10°C to 70°C
------------------------------	---------------

Approvals

Compliance/Certifications	UL, cUL, TUV, CE, UL94-V0
----------------------------------	---------------------------



*Drawing for Dimensional Reference Only

Axial Fans

