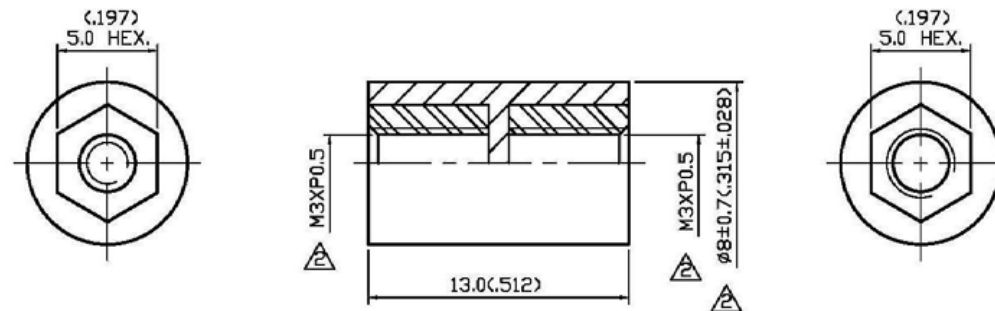


NO	DESCRIPTION	DATE
△	DEL 601-142	12.29.06'
△	∅8.0 → ∅8±0.7 DEL ∅2.5	09.20.07'
△	NONE → NICKEL	12.26.12'



P/N: 6539330

APPROVED

by \_\_\_\_\_

DATE: \_\_\_\_\_

2	INSULATION	NYLON 66	1	NONE
1	NUT	BRASS	2	NICKEL
NO	DESCRIPTION	MATERIAL	Q'TY	FINISH



DESCRIPTION		NYLON SPACER	
製圖	DRAWN	TOLERANCE	品名
	Yoko	X ±0.2	95-80 △ NICKEL
檢圖	CHECK	.XX ±0.1	TITLE
	Angela	.XXX ±0.05	∖ROHS COMPLIANT
認定	APPROVAL	ANGLE ±5°	單位
	Angela		mm(in)
		比例	SCALE
			4:1
		DATE	REV.
		10.26.99'	A-3
		DWG.NO.	95-0077