

## Datasheet

ENGLISH

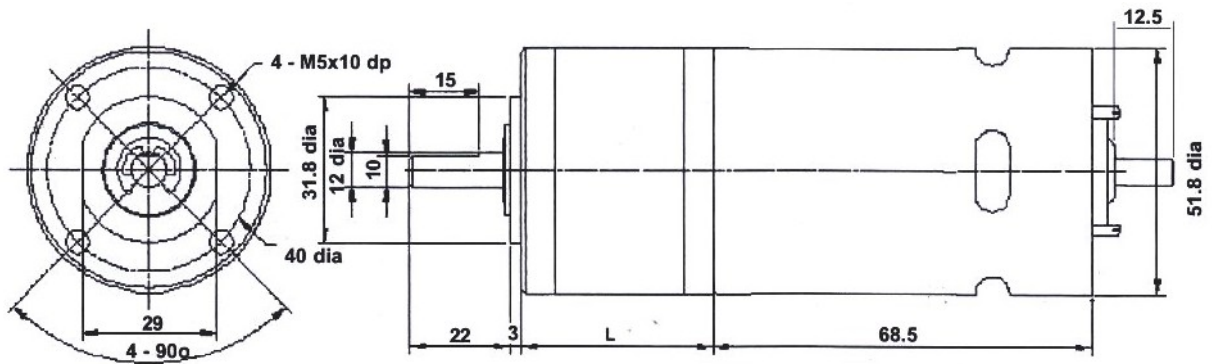
# RS PRO, 12 V dc, 100000 gcm, Brushed DC Geared Motor, Output Speed 10 rpm

Stock No: 420-615



## Specifications:

|                       |             |
|-----------------------|-------------|
| Output Speed          | 10 rpm      |
| Supply Voltage        | 12 V dc     |
| Maximum Output Torque | 100000 g.cm |
| DC Motor Type         | Brushed     |
| Shaft Diameter        | 12mm        |
| Power Rating          | 38.73 W     |
| Gearhead Type         | Planetary   |
| Length                | 168mm       |
| Width                 | 51.8mm      |
| Current Rating        | 4.61 A      |
| Weight                | 1483g       |



Operating relative humidity 20% ~ 85%  
 Operating temperature range -10°C ~ +60°C

| Ratio | L      |
|-------|--------|
| 488:1 | 99.5mm |

| Gearbox Housing material       | Metal         |
|--------------------------------|---------------|
| Backlash at no-load            | < 3°          |
| Bearing at output              | Ball bearings |
| Radial load (10mm from flange) | < 20 kgf      |
| Shaft axial load               | < 10 kgf      |
| Shaft press fit force max      | < 30 kgf      |
| Radial play of shaft           | < 0.04mm      |
| Thrust play of shaft           | < 0.3mm       |

| Reduction Ratio | Rated tolerance Torque | Max momentary Tolerance Torque | Efficiency |
|-----------------|------------------------|--------------------------------|------------|
| 1/488           | 100.0 kgf-cm Max.      | 300.0 kgf-cm                   | 50%        |

| Reduction Table RPM<br>SUPPLY VOLTAGE | 6v | 12v |
|---------------------------------------|----|-----|
| 420-615                               | 5  | 10  |

Note: Motor speeds may vary by (+) or (-) 12.5%

