



ENGLISH

## Datasheet

### 5P 180 DIN Cable Plug Push Locking

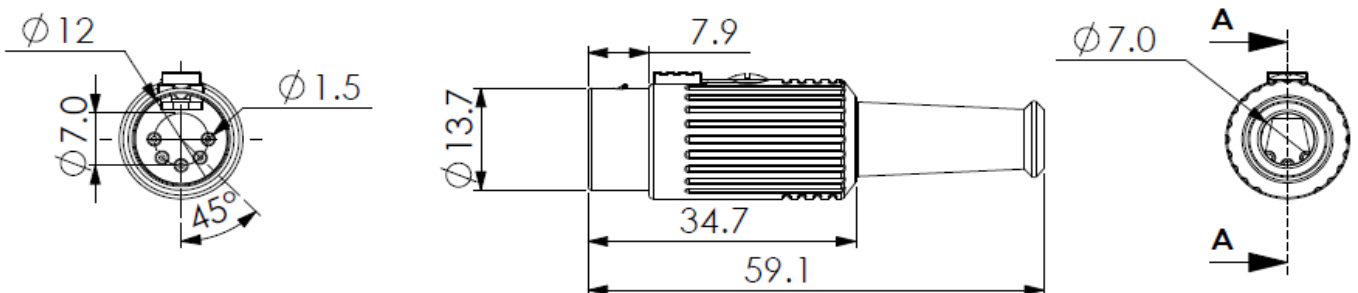
RS Stock number 491-037

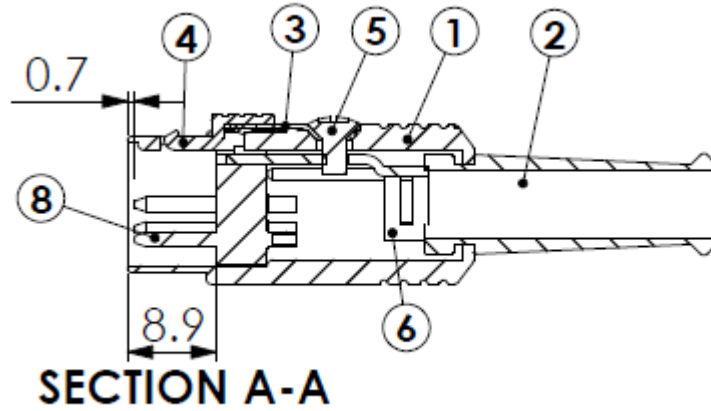


#### Specifications:

Rating:	2A 100V AC
Contact Resistance:	Pins-30m $\Omega$ max; shell-50m $\Omega$ max.
Insulation Resistance:	100M $\Omega$ min. at 500V DC
Dielectric Strength:	250V AC R.M.S. for 1 minute

#### Dimensions(mm)





No.	Description	Material	Treat
1	Shield Cover	Zn Alloy	Chrome Ptd.
2	Strain Boot	PVC	
3	Leaf Spring	Steel	Thermal Treatment
4	Hook Button	Zn Alloy	Nickel Ptd.
5	Setscrew	Steel	Nickel Ptd.
6	'T' Holder	Steel	Nickel Ptd.
7	Housing	ABS	
8	Terminals	Brass	Silver Ptd.